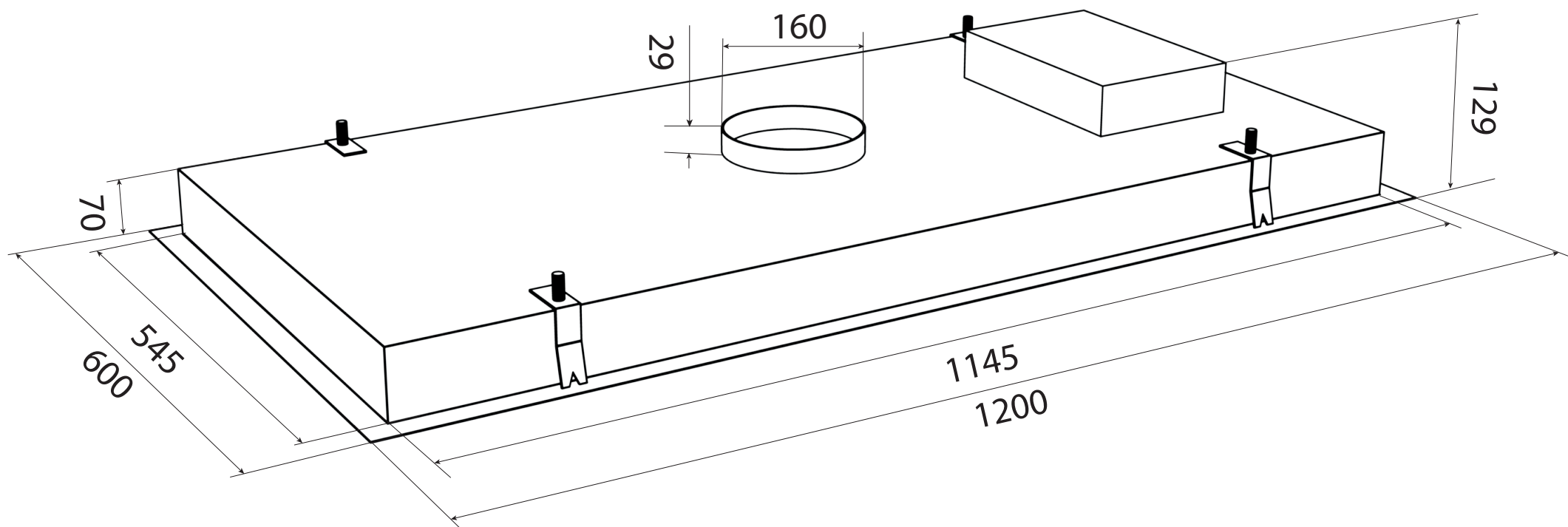


# Passat



external motor



# Passat



internal motor

