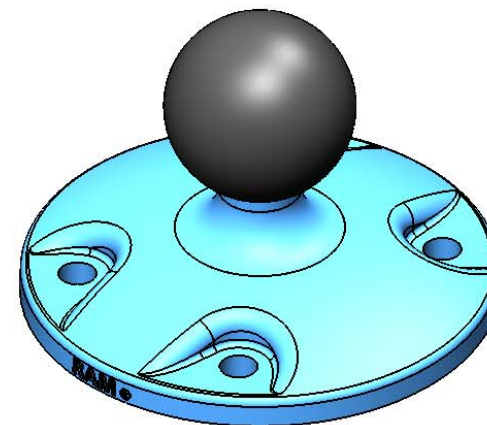
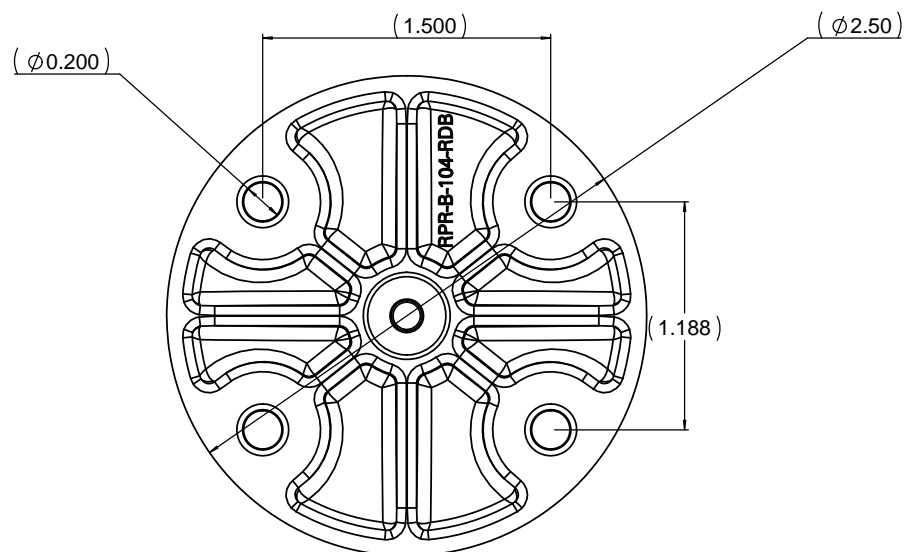
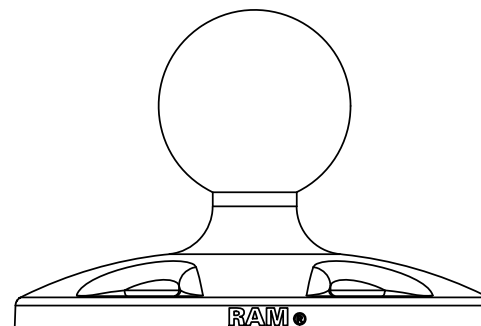
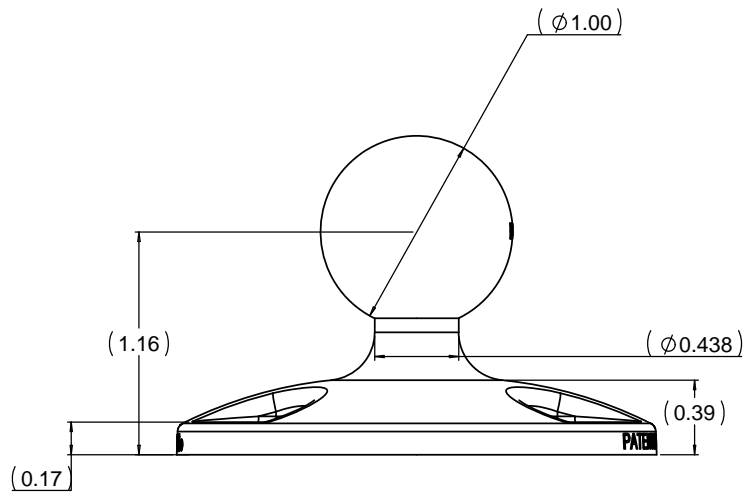


THE INFORMATION CONTAINED IN THIS DRAWING IS THE SOLE PROPERTY OF NATIONAL PRODUCTS INC. ANY REPRODUCTION IN PART OR WHOLE WITHOUT THE WRITTEN PERMISSION OF NATIONAL PRODUCTS INC. IS PROHIBITED.

| REVISIONS | | DATE | APPROVED |
|-----------|-------------|------|----------|
| REV | DESCRIPTION | | |
| | | | |
| | | | |



| | | | | |
|--|--|----------|---|---------------------------------|
| UNLESS OTHERWISE SPECIFIED DIMENSIONS ARE IN INCHES FRACTIONS DECIMALS ANGLES + 1/32 XX+ .04 +.1 DEG. XXX+ .010 | CAD GENERATED DRAWING. DO NOT MANUALLY UPDATE | | NATIONAL PRODUCTS INC. | |
| | APPROVALS | DATE | RAM 2 1/2" DIAMETER BASE WITH 1" DIAMETER RUBBER BALL | |
| MATERIAL PLASTIC & RUBBER | DRAWN JDC | 02/29/16 | ISS C | REV |
| FRESH BLACK | CHECKED CMR | 02/29/16 | RAP-B-202 | |
| DO NOT SCALE DRAWING | MFG ENG | | SCALE 1 TO 1 | CAD TEL: RAP-B-202 SHEET 1 OF 1 |
| | QUAL ENG | | | |