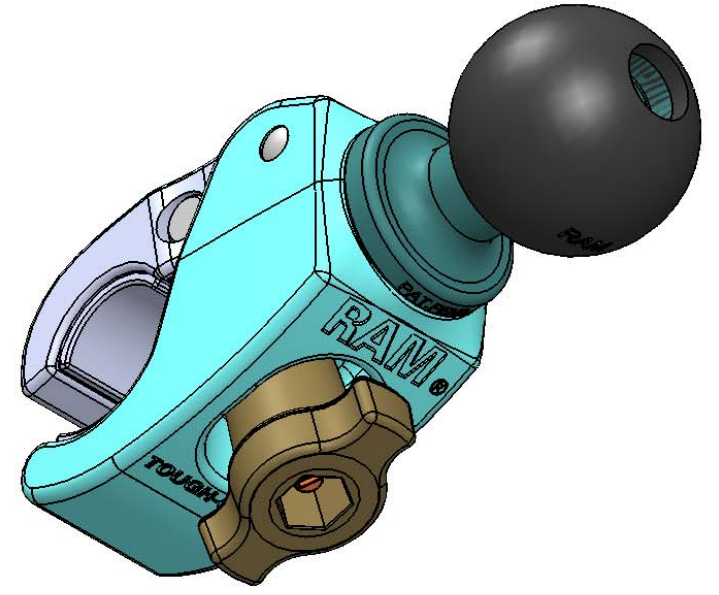
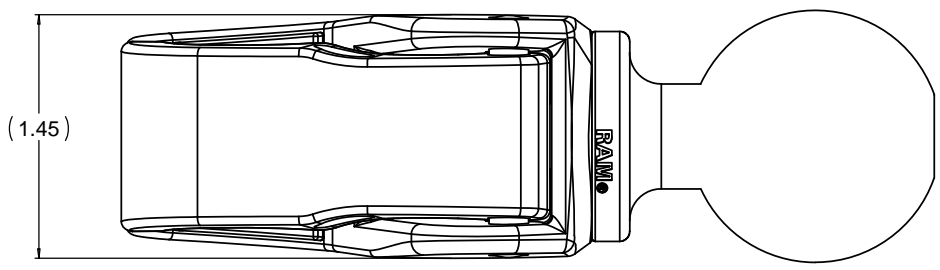
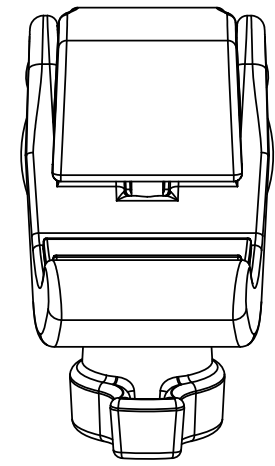
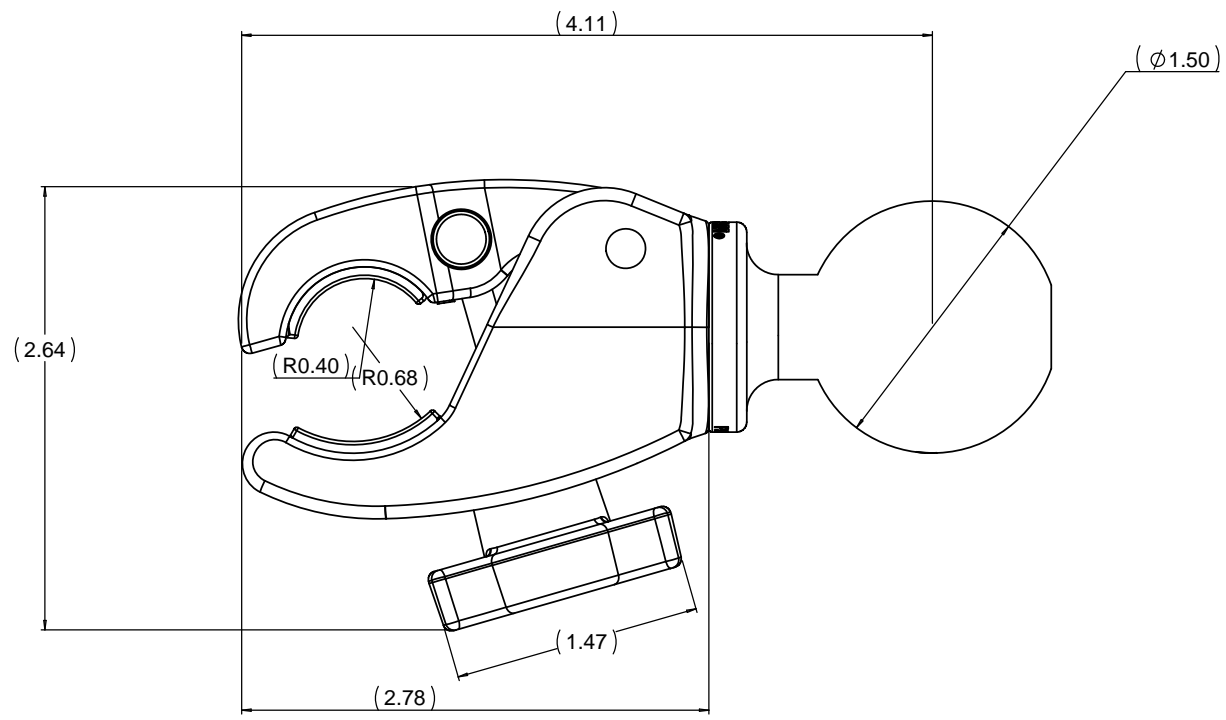


THE INFORMATION CONTAINED IN THIS DRAWING IS THE SOLE PROPERTY OF NATIONAL PRODUCTS INC. ANY REPRODUCTION IN PART OR WHOLE WITHOUT THE WRITTEN PERMISSION OF NATIONAL PRODUCTS INC. IS PROHIBITED.

REV		DESCRIPTION		REVISIONS		DATE	APPROVED



UNLESS OTHERWISE SPECIFIED DIMENSIONS ARE IN INCHES		CAD GENERATED DRAWING. DO NOT MANUALLY UPDATE.		NATIONAL PRODUCTS INC.	
FRACTIONS: DECIMALS ANGLES: ± 1/32 XX ± .03 ± 1 DEG. XXX ± .010		APPROVALS	DATE	RAM TOUGH-CLAW WITH 1 1/2" DIAMETER BALL	
DRAWN: JDC		05/16/16	CHECKED: CMR	05/16/16	REV
MATERIAL: GLASS FILLED NYLON		RESP: ENG	SCALE: 1 TO 1		
FINISH: BLACK		MFG: ENG	QUAL: ENG	SIZE: 1/2" X 1/2" X 1/2"	REV: 1
DO NOT SCALE DRAWING		PART NO: RAP-400-B		SHEET 1 OF 1	