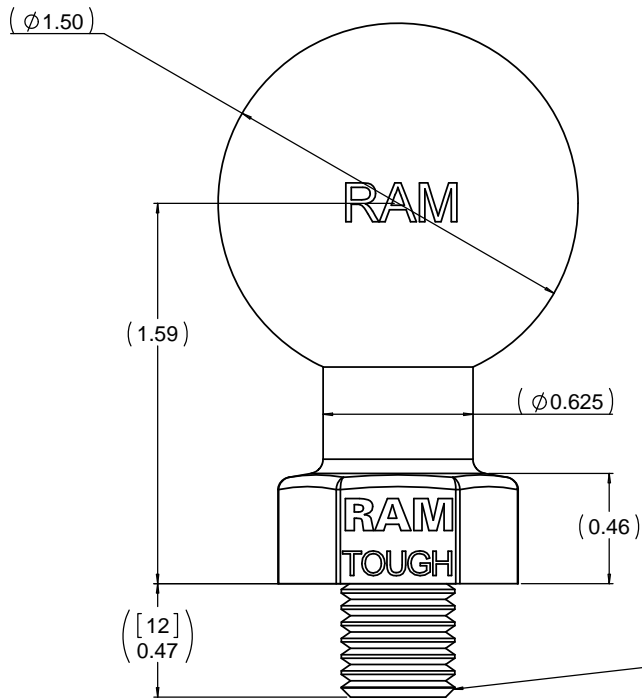
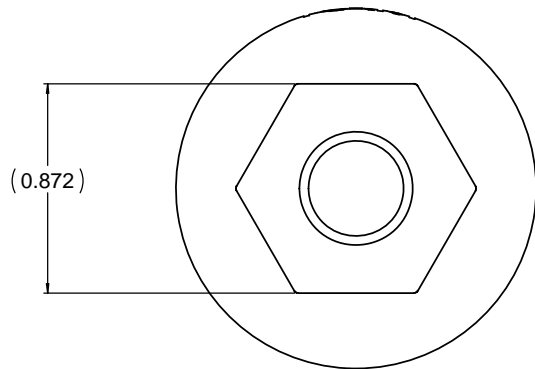


THE INFORMATION CONTAINED IN THIS DRAWING IS THE SOLE PROPERTY OF NATIONAL PRODUCTS INC. ANY REPRODUCTION IN PART OR WHOLE WITHOUT THE WRITTEN PERMISSION OF NATIONAL PRODUCTS INC. IS PROHIBITED.

REV	DESCRIPTION	REVISIONS	DATE	APPROVED



M12 X 1.75 X 12MM LONG STST THREADS



UNLESS OTHERWISE SPECIFIED DIMENSIONS ARE IN INCHES		CAD GENERATED DRAWING. DO NOT MANUALLY UPDATE		NATIONAL PRODUCTS INC.	
TOLERANCES ARE:		APPROVALS	DATE		
FRACTIONS	DECIMALS	DRAWN	04/14/16		
$\pm 1/32$	$.XX \pm .03$	CHECKED	CMR	04/14/16	
		RESP ENG			
MATERIAL					
20% GLASS FILLED PC					
FINISH					
BLACK					
DO NOT SCALE DRAWING					

RAM 1 1/2" DIA. TOUGH BALL WITH M12 X 1.75 X 12MM LONG STST STUD

SCALE 1 TO 1 CAD FILE: RAP-379U-M1217512 SHEET 1 OF 1