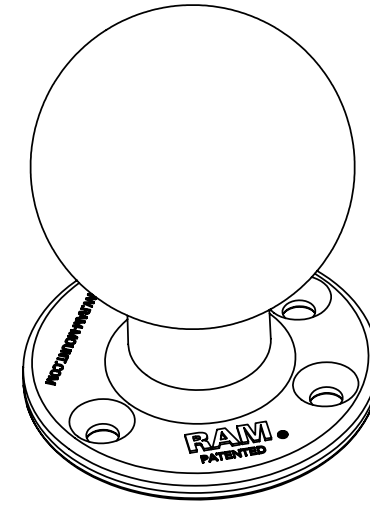
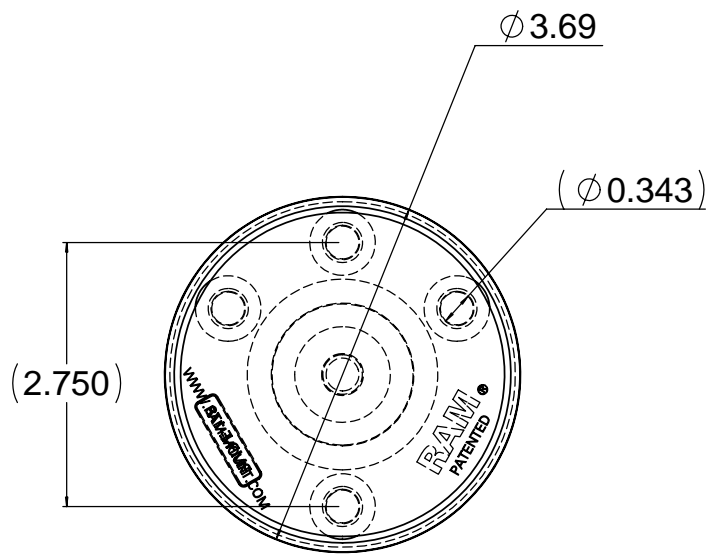
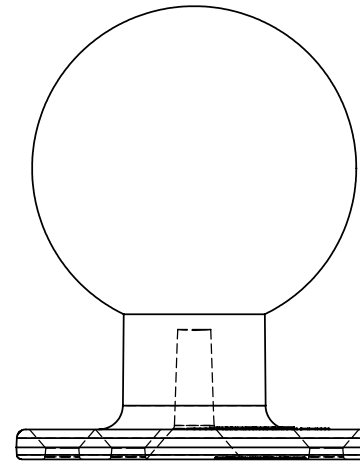
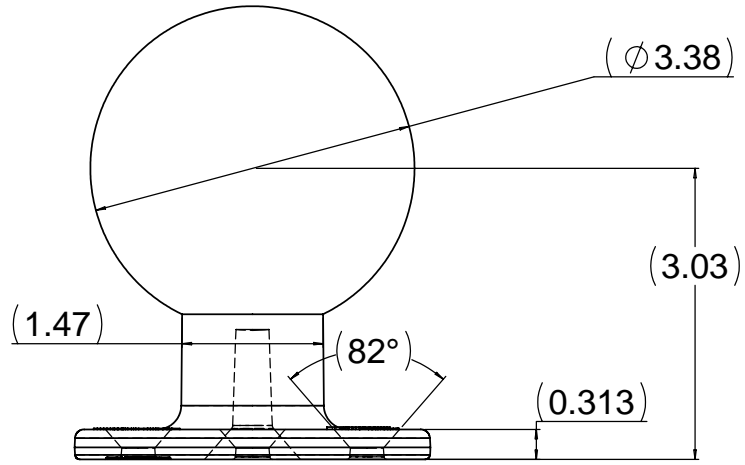


THE INFORMATION CONTAINED IN THIS DRAWING IS THE SOLE PROPERTY OF NATIONAL PRODUCTS INC. ANY REPRODUCTION IN PART OR WHOLE WITHOUT THE WRITTEN PERMISSION OF NATIONAL PRODUCTS INC. IS PROHIBITED.

REVISIONS		DATE	APPROVED
REV	DESCRIPTION		



UNLESS OTHERWISE SPECIFIED DIMENSIONS ARE IN INCHES. TOLERANCES ARE: FRACTIONS: DECIMALS ANGLES + 1/32 - .003 + .1 DEG. XXX+ - .010		CAD GENERATED DRAWING. DO NOT MANUALLY UPDATE.		NATIONAL PRODUCTS INC.	
APPROVALS		DATE		RAM 3.68" DIAMETER BASE WITH 3/8" DIAMETER RUBBER BALL	
DRAWN JDC		03/26/07			
CHECKED CMR		03/26/07			
MATERIAL ALUMINUM		RESP ENG			
FINISH BLACK		MFG ENG			
DO NOT SCALE DRAWING		QUAL ENG			
		DWG. NO. RAM-E-202		REV	
		SCALE 1 TO 1		SHEET 1 OF 1	