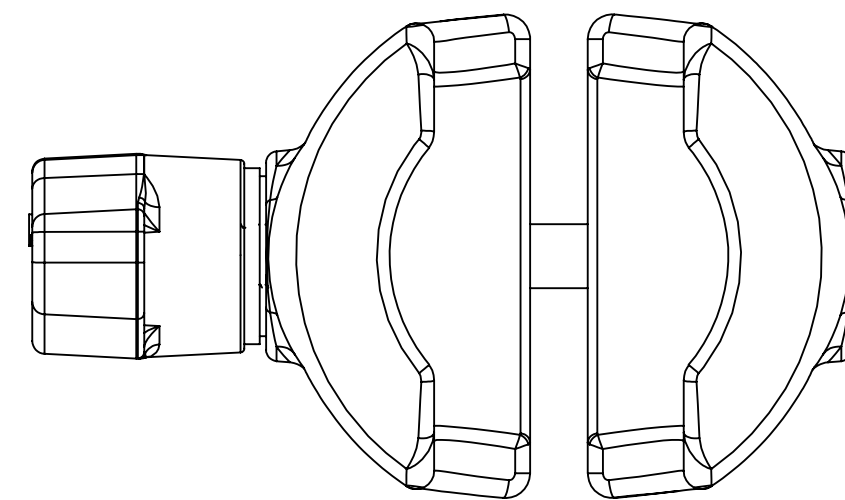
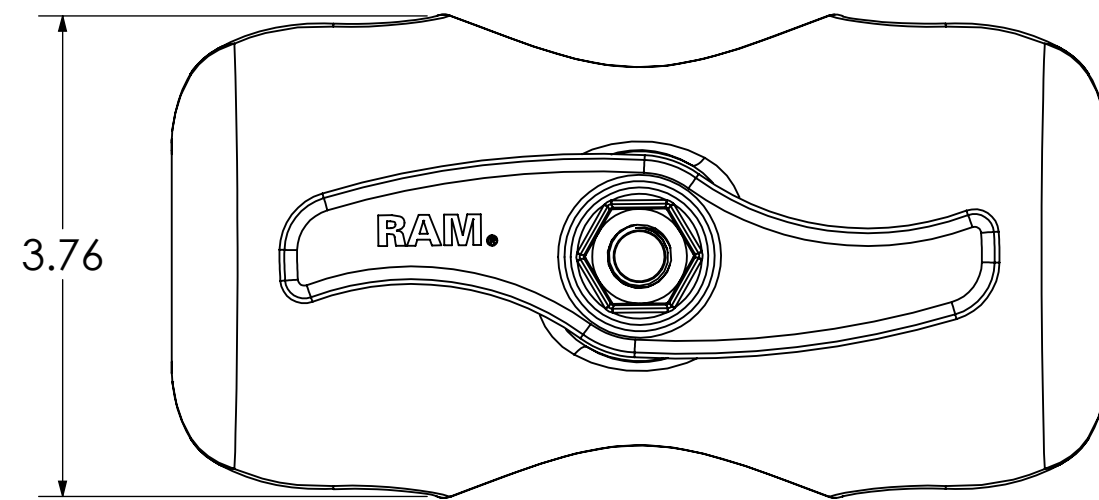
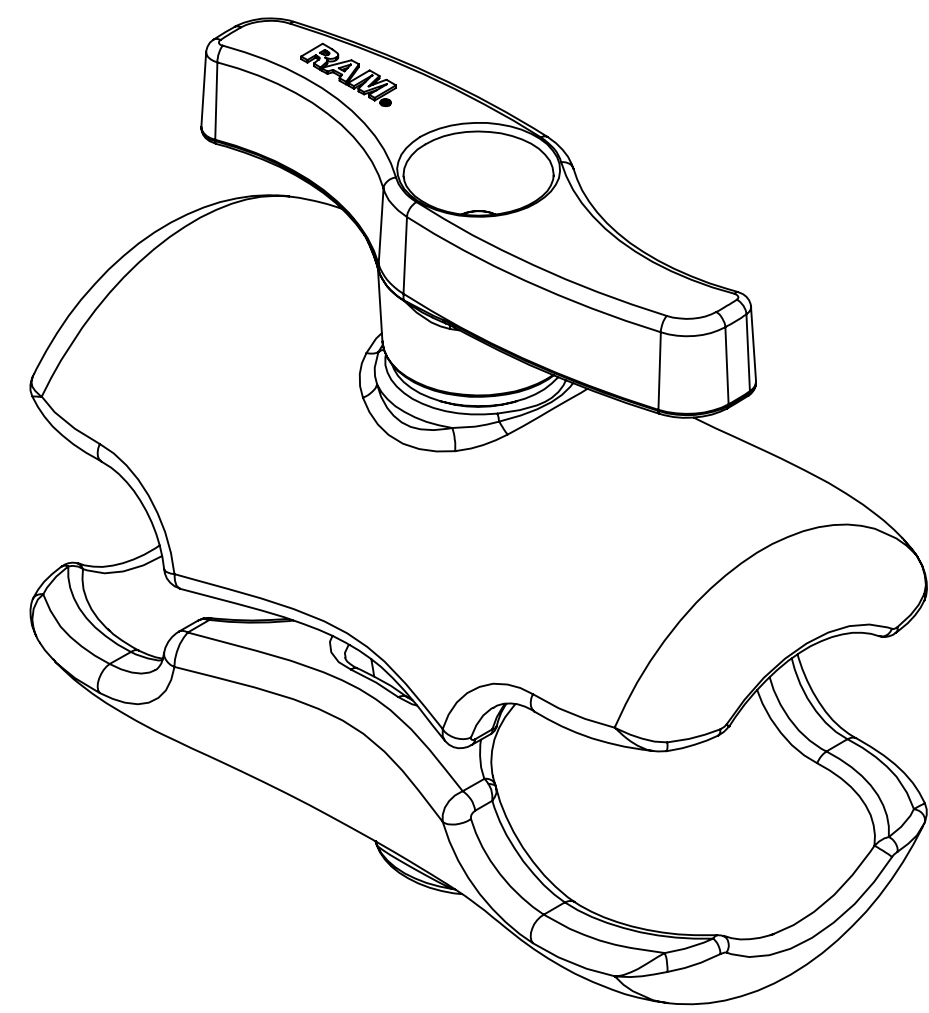
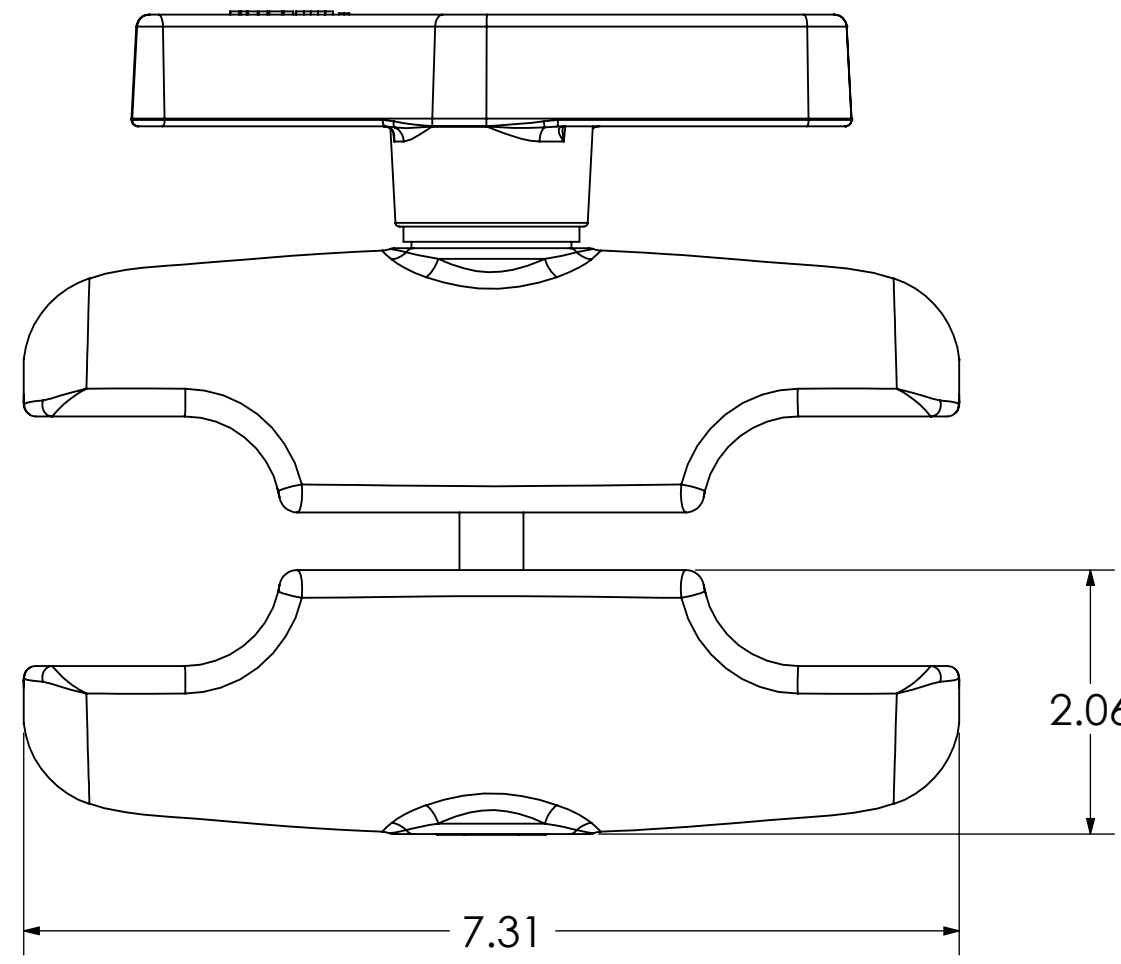


THE INFORMATION CONTAINED IN THIS DRAWING IS THE SOLE PROPERTY OF NATIONAL PRODUCTS INC. ANY REPRODUCTION IN PART OR WHOLE WITHOUT THE WRITTEN PERMISSION OF NATIONAL PRODUCTS INC. IS PROHIBITED.

REVISIONS		DATE	APPROVED
REV.	DESCRIPTION		



SOCKET CENTER TO CENTER LENGTH: 4.975"



UNLESS OTHERWISE SPECIFIED DIMENSIONS ARE IN INCHES TOLERANCES ARE: FRACTIONS DECIMALS ANGLES ±1/32 .xx±.03 1° MATERIAL FINISH DO NOT SCALE DRAWING	CAD GENERATED DRAWING. DO NOT MANUALLY UPDATE		NATIONAL PRODUCTS INC.	
	APPROVALS	DATE	SHORT E SIZE ARM	
	DRAWN: SMG	01/19/18	SIZE: C	DWG. NO. RAM-E-201U-D
	CHECKED		SCALE: 1 TO 1	CAD FILE: SHEET 1 OF 1
	RESP ENG			
	MFG ENG			
	QUAL ENG			