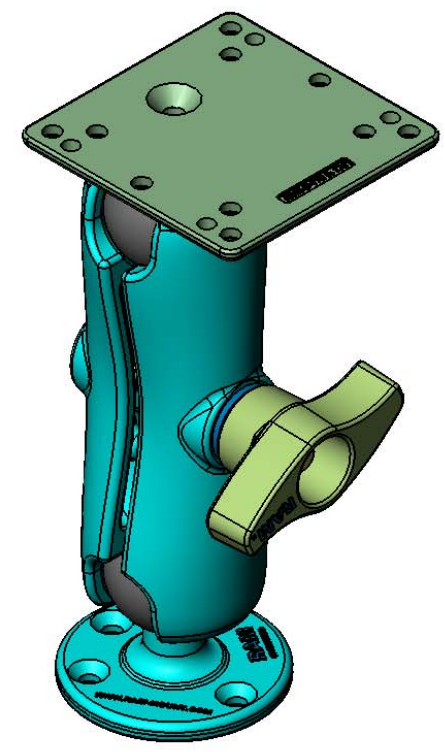
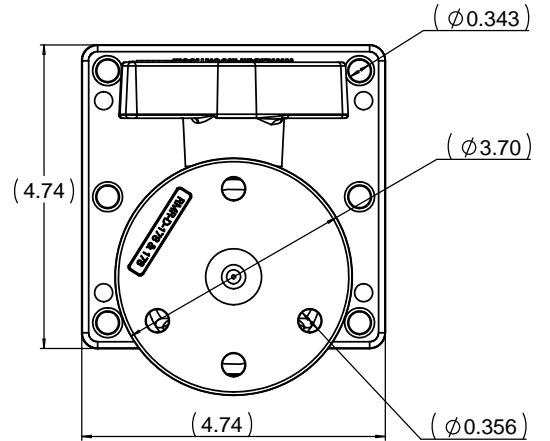
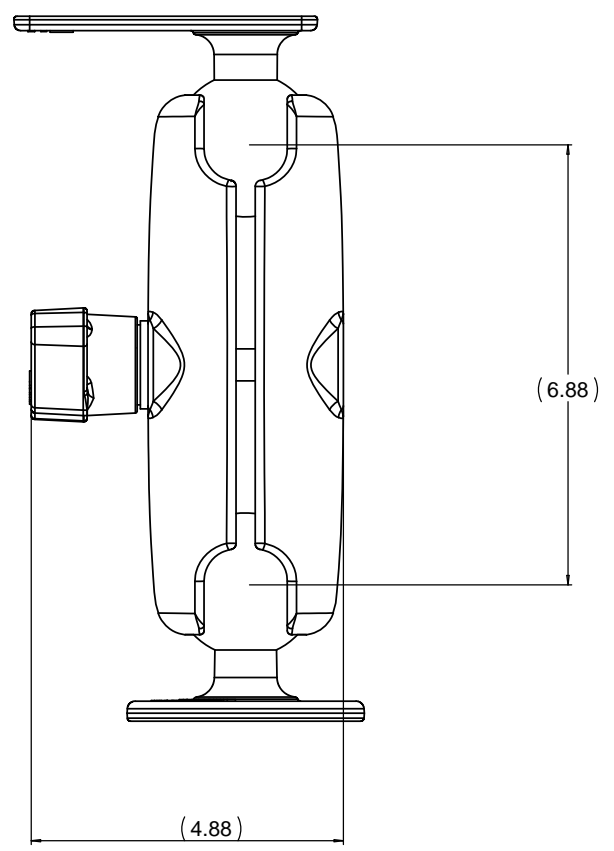
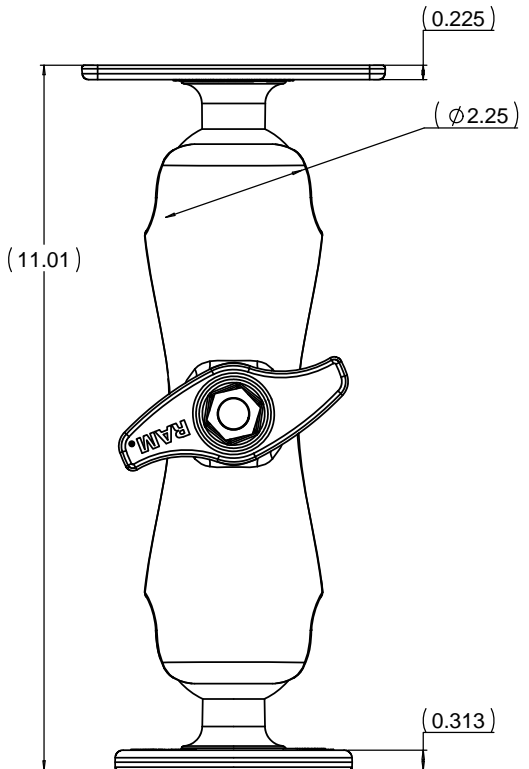


THE INFORMATION CONTAINED IN THIS DRAWING IS THE SOLE PROPERTY OF NATIONAL PRODUCTS INC. ANY REPRODUCTION IN PART OR WHOLE WITHOUT THE WRITTEN PERMISSION OF NATIONAL PRODUCTS INC. IS PROHIBITED.

REVISIONS		DATE	APPROVED
REV	DESCRIPTION		



UNLESS OTHERWISE SPECIFIED DIMENSIONS ARE IN INCHES TOLERANCES ARE: FRACTIONS DECIMALS ANGLES + 1/32 -XX+ .06 + -1 DEG. XXX+ .030	CAD GENERATED DRAWING. DO NOT MANUALLY EDIT/DATE		NATIONAL PRODUCTS INC.	
	APPROVALS	DATE	RAM 2 1/4" DIA. DOUBLE BALL AND SOCKET MOUNT WITH VESA PLATE	
DRAWN	JDC	10/07/16	REV	
CHECKED	CMR	10/07/16	DATE	
MATERIAL	ALUMINUM, RUBBER, ST. BRASS	RESP ENG	ISS	
FINISH	BLACK	MFG ENG	SCALE	1 TO 1
DO NOT SCALE DRAWING	QUAL ENG		CAD FILE	RAM-D-101U-246
			SHEET	1 OF 1