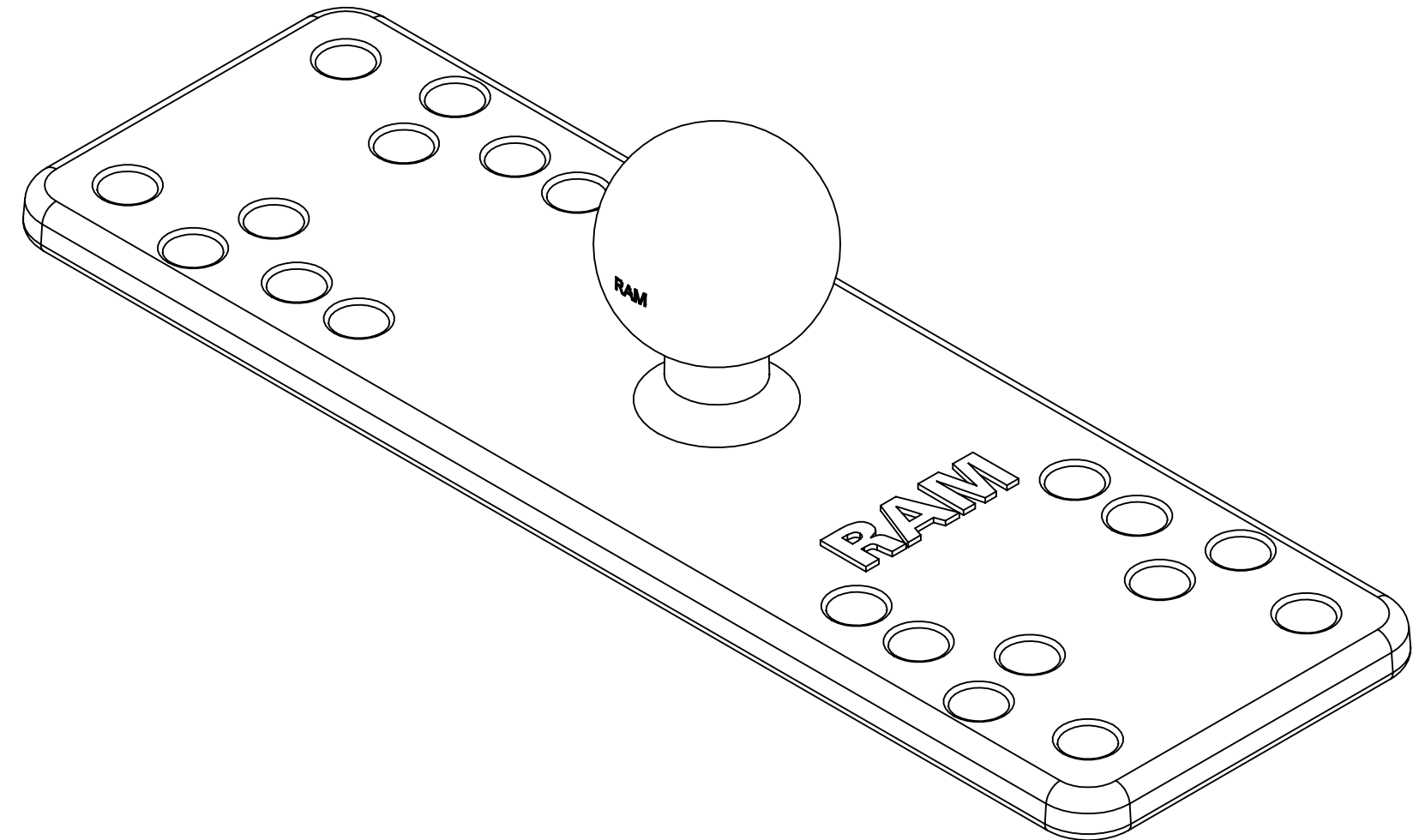
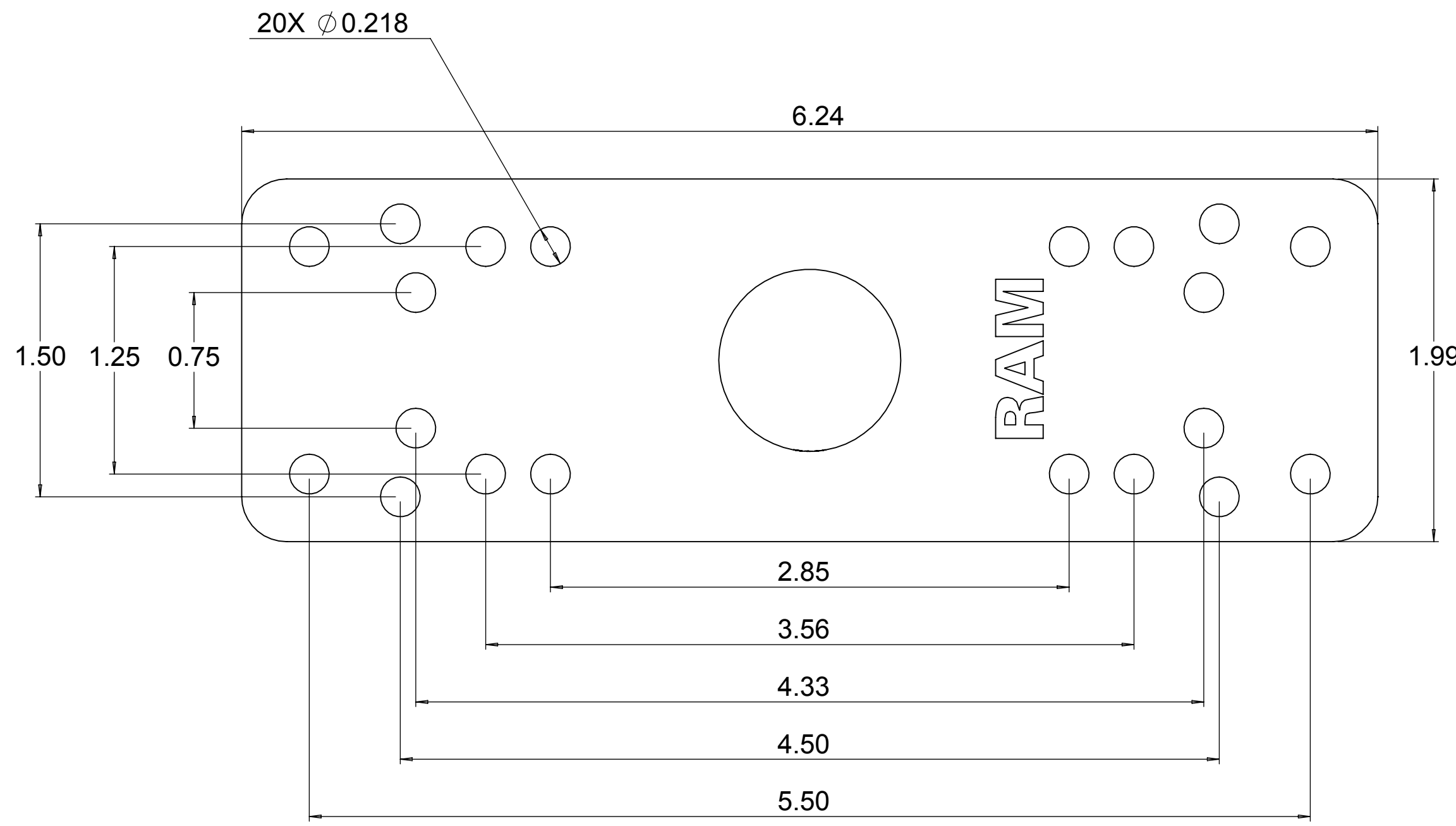
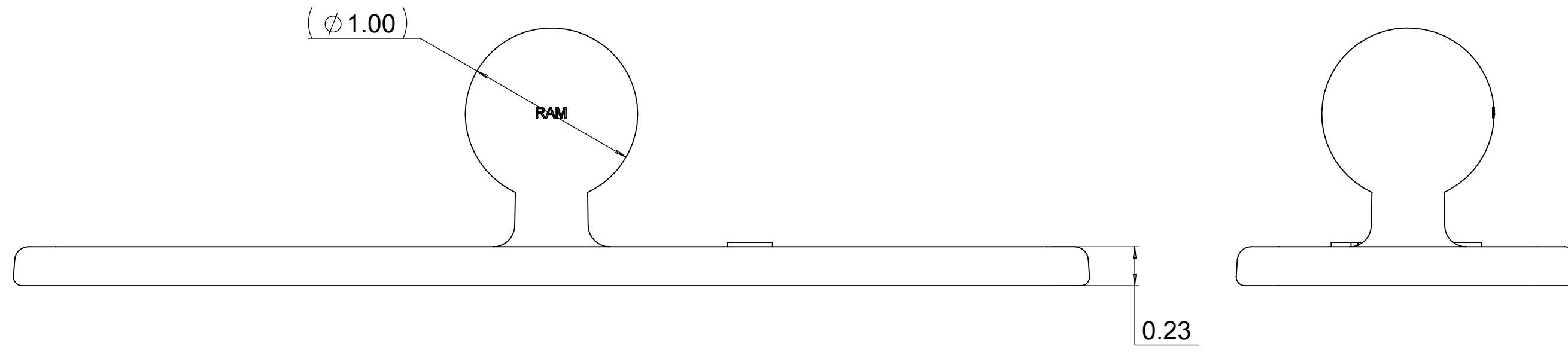


THE INFORMATION CONTAINED IN THIS DRAWING IS THE SOLE PROPERTY OF NATIONAL PRODUCTS INC. ANY REPRODUCTION IN PART OR WHOLE WITHOUT THE WRITTEN PERMISSION OF NATIONAL PRODUCTS INC. IS PROHIBITED.

REVISIONS		DATE	APPROVED
REV.	DESCRIPTION		



UNLESS OTHERWISE SPECIFIED DIMENSIONS ARE IN INCHES TOLERANCES ARE: FRACTIONS DECIMALS ANGLES + - 1/32 .XX+ -.06 + - 1 DEG. .XXX+ -.030	CAD GENERATED DRAWING. DO NOT MANUALLY UPDATE		NATIONAL PRODUCTS INC.	
	APPROVALS	DATE	DESCRIPTION	
	DRAWN: SMG	06/18/18	2" X 6 1/4" ELEC. BRKT	
	CHECKED			
MATERIAL ALUMINUM	RESP ENG			
FINISH BLACK POWDER COAT	MFG ENG			
DO NOT SCALE DRAWING	QUAL ENG			
SCALE: 1 TO 1		CAD FILE:	SIZE (DWG. NO.) C RAM-B-111BU	REV. 
			SHEET 1 OF 1	