

Datasheet

Subject to technical alteration
Issue date: 22.08.2016



Application

Based on the digitalSTROM architecture, up to 8 different function groups can be displayed with the Thanos. All function groups of the digitalSTROM system are supported by the Thanos. Depending on the configuration, the multifunction device operates as operating panel for illumination control, shading, heating, audio, video, occupancy or app button for example. Beside the 3 main views, every function group owns a separate display section for control. Furthermore, the device can also be used with incoming and outgoing function. The display is additionally intended for visualization of alarming, panic or fire as well as climatic events such as rain, wind or hail.

Functions

- Central operation of the functions light, shading, heating, audio, video, coming and going, app button
- Max.3 main views for central operation, up to 8 sub menus for special functions
- Central metal button at the Front (clip) for illumination control
- Integrated room sensor for temperature and humidity
- Optionally in black or white
- dS Ready
- Flush mounting in standard EU box (Ø=55 mm)
- Power supply 230 V
- No additional control, bus line or radio connection required

Security Advice – Caution



The installation and assembly of electrical equipment should only be performed by authorized personnel.

The product should only be used for the intended application. Unauthorised modifications are prohibited! The product must not be used in relation with any equipment that in case of a failure may threaten, directly or indirectly, human health or life or result in danger to human beings, animals or assets. Ensure all power is disconnected before installing. Do not connect to live/operating equipment.



CAUTION! Risk of electric shock due to live components within the enclosure, especially devices with mains voltage supply (usually between 90..265 V).

Please comply with

- Local laws, health & safety regulations, technical standards and regulations
- Condition of the device at the time of installation, to ensure safe installation
- This data sheet and installation manual

Follow the planning and installation instructions in the digitalSTROM installation manual for the installation and initial operation.

Notes on Disposal



As a component of a large-scale fixed installation, Thermokon products are intended to be used permanently as part of a building or a structure at a pre-defined and dedicated location, hence the Waste Electrical and Electronic Act (WEEE) is not applicable. However, most of the products may contain valuable materials that should be recycled and not disposed of as domestic waste. Please note the relevant regulations for local disposal.

Technical Data

Measuring values	temperature, humidity
Network technology	digitalSTROM
Power supply	230 V ~ (±10%)
Power consumption	typ. 3 W / max. 0,04 A
Measuring range temp	0..+40 °C
Measuring range humidity	0..100% rH non-condensing
Accuracy temperature	±0,5 K (typ. at 21 °C)
Accuracy humidity	±3% between 20..80% rH (typ. at 21 °C)
Control functions	light, shading, heating, audio, video, coming and going, app button
Clip	anodized aluminium
Functions	configurable via software configuration
Display	3,5" TFT, 320x240 pixel, 262.144 colours, capacitive touch-technology, showing room temperature, set point, humidity, outdoor temperature, operation mode, occupancy
Colour	white and black
Enclosure	PC and glass
Protection	IP20 according to EN 60529
Connection electrical	plug-in terminal, max. 2,5 mm ²
Ambient condition	0..+40 °C, max. 85% rH non-condensing
Weight	300 g
Mounting	flush mounted in standard EU box (Ø=55 mm)

Mounting Advices

With the integrated digitalSTROM powerline communication protocol the device can be installed anywhere in the room, wherever digitalSTROM is available.

The device must be installed at a suitable installation location representing the room temperature so that the measurement result is not distorted.

The device is installed on a wall above a device or wall outlet box of the relevant power circuit. The flush-mounting box must be completely closed right up to the wall so that the air circulation only takes place through the openings of the housing cover. Furthermore, installation near doors (presence of draughts) or windows (cold exterior wall) should be avoided and the device should not be covered by furniture etc. or be exposed to direct sunlight. Otherwise, measurement deviations may occur.

The influence of the installation location on the temperature measurement may have to be compensated for by the offset of the device if necessary.

The device is supplied in operational state. The device is installed on the flat wall surface by means of screws (accessories). The upper part of the housing must be detached from the base plate in order to carry out the wiring. After the electrical connection has been established and the power switched on, the device is automatically registered at the digitalSTROM meter in the electric circuit distributor. The device is then immediately ready for operation, begins with the recording of the room temperature and humidity and registers these in the digitalSTROM system.

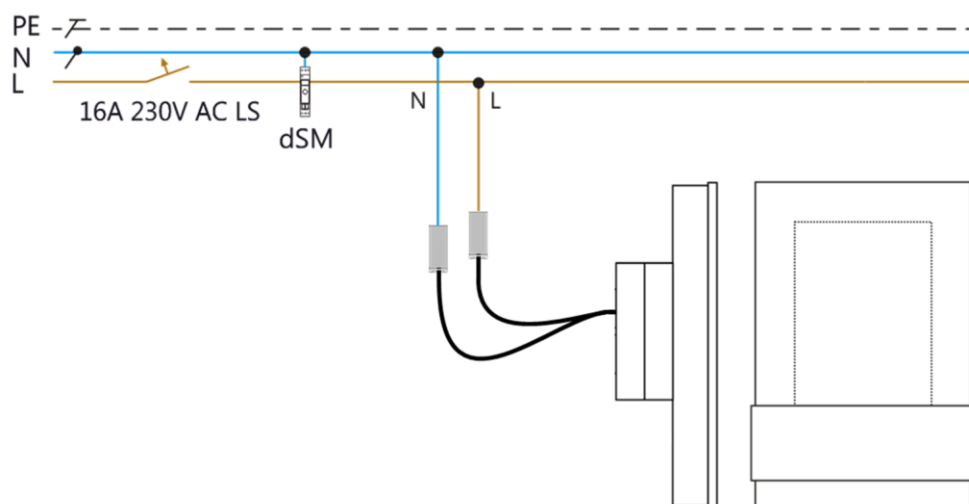
After the electrical connection has been made and the power switched ON, the device is automatically registered with the digitalSTROM meter in the power distribution panel. The device is then immediately ready for operation and can be controlled via digitalSTROM commands.



To use the full range of functions of the product, a system update must be carried out. See digitalSTROM installation manual.

To use the entire range of functions, the installation of the Thanos APP on the digitalSTROM server is required. Further information on the use of the device is provided by the APP.

Connection plan

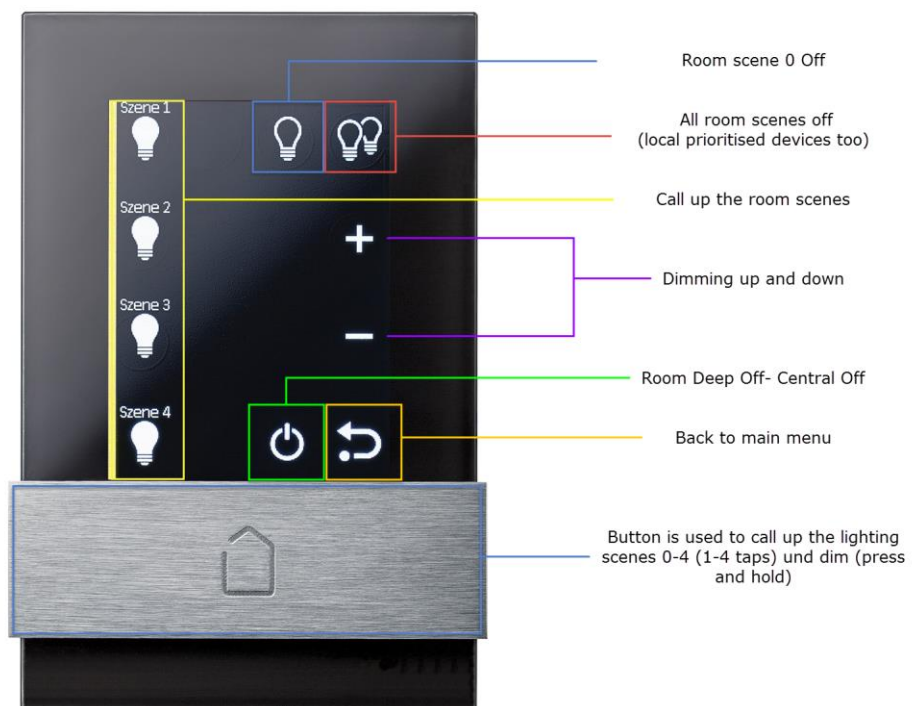


Function Description

Main menu

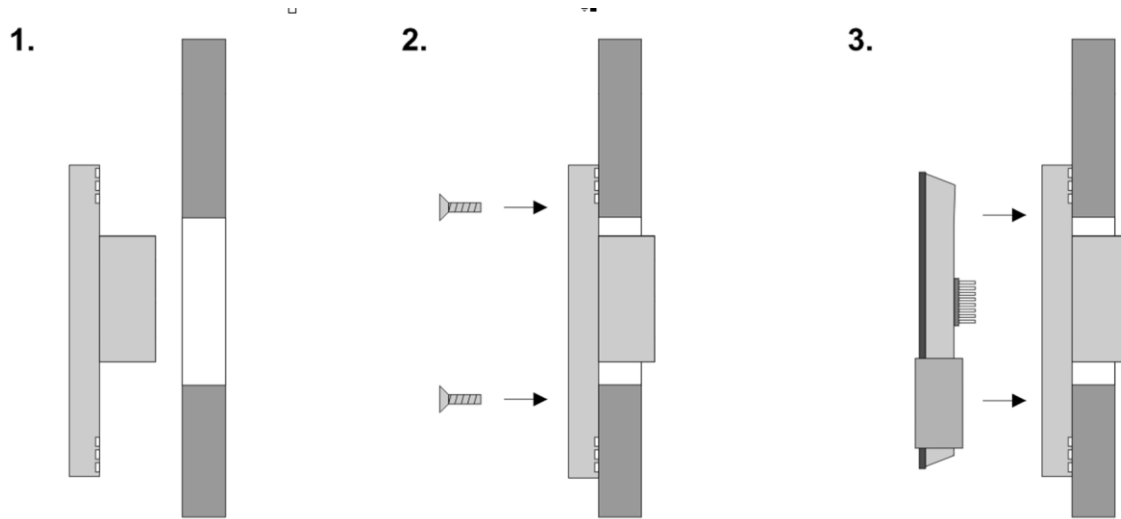


Sub-menu



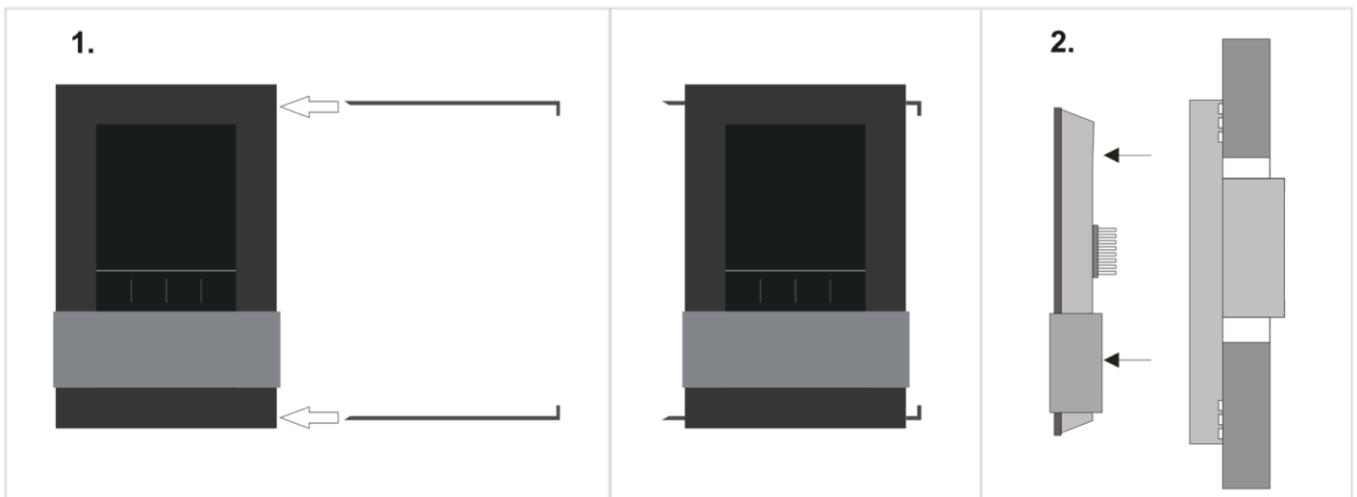
Mounting Device

1. Place wall unit.
2. Mount wall unit with countersunk screws.
3. Insert operating unit carefully into the wall unit and click it in.



Remove Operating Unit

1. Insert extraction tools into the available slots.
2. Take the operating unit at the edges and remove it carefully from the wall-unit



Dimensions (mm)

