

# Mymesh Product sheet

Connect any light, anywhere.



## Micro BLC Industrial

### Wirelessly control any make or type of luminaire

The Micro BLC Industrial is a for industry optimised smart lighting module. The device enables you to wirelessly connect and control a dimmable luminaire within professional and demanding environments.

Additional sensors can be attached to allow automatic control, building management and many other powerful features.

#### Technical summary

The Micro BLC is powered via DALI or the driver's always-on auxiliary power supply.

The Micro BLC supports the following controllers:

- DALI 1.0 for Philips SR and Osram Dexal drivers
- 0-10V Dim

#### Customisation

An add-on PIR motion detector can be connected to the Micro BLC. We provide two different types of motion detectors, covering most applications.

#### Network features

- Wireless, stand-alone network that is self-organizing and self-healing
- 2.4GHz communication for reliable data transfer
- Secure by design
- Ultra-scalable to > 10.000 fixtures in one network
- Low operational cost

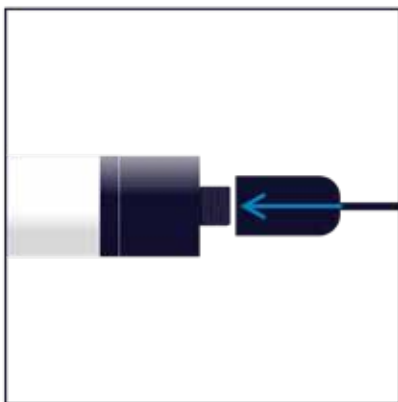
#### Special features:

- Dimming and switching of a wide range of lights
- Low energy consumption by using the latest RF technology
- Up to 90% energy savings with light control
- Data logging

#### Optional

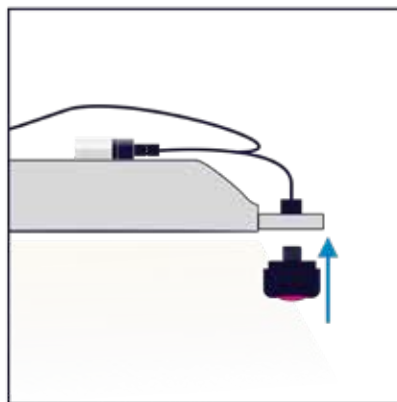
- On-the-fly (re) commissioning with the Mymesh commissioning app\*
- Connect to Mymesh Management System (MMS) or Third-party dashboard via a Mymesh Ethernet Gateway

### Easy commissioning



#### 1. Connect the device

The Micro BLC Industrial comes with a sturdy Y-cable. Attach the needed devices via the plug to the driver.



#### 2. Add sensors

An additional PIR sensor can be easily added via contra plug on the Y-cable.



#### 3. Configure your network

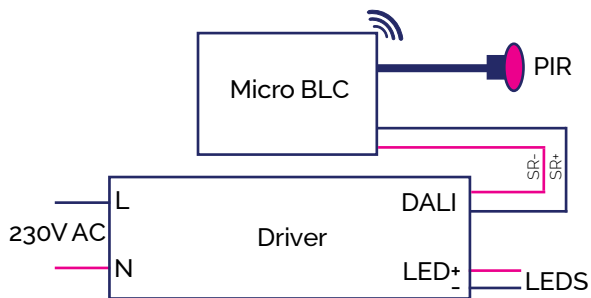
Now you only need to assign locations and behaviour to your lighting installation via the Mymesh App.

# Technical specifications

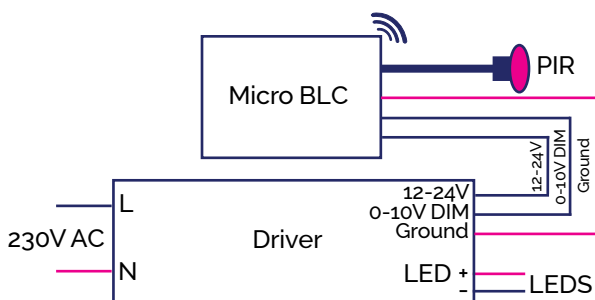
## Connections

Via the accessory Y-Cable

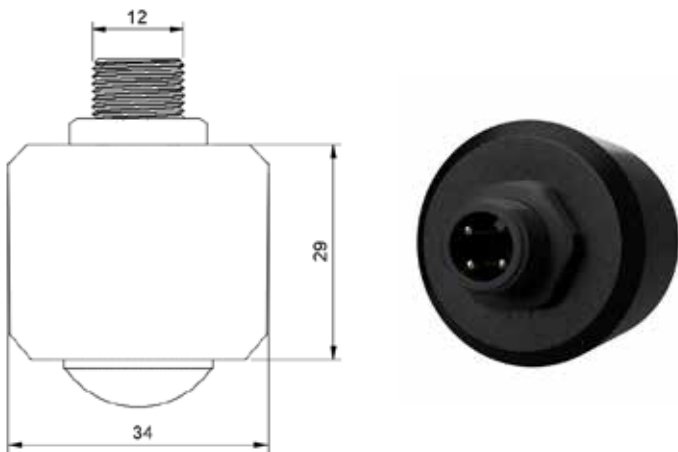
Installation: Philips Sensor Ready or Osram Dexas drivers



Installation: 0-10V dimmable driver with aux power supply



## PIR Installation



## Motion detection

Type: Passive Infrared (PIR) with domed multi-lens

### 1. Standard sensitivity PIR Industrial

Typical installation height 7 m.  
Range: Horizontal 360°, Vertical 100°

### 2. High Bay PIR Industrial

Typical installation height 12 m  
Range: Horizontal 360°, vertical 69°

## Order information

BLC.xxxx.xxx Micro BLC Industrial

- xxxx.xxxx.xxx Y-Cable with PIR connector

## Energy consumption

Typical: 0.2 Watt

## Radio

2.4GHz ISM band (2.400 – 2.4835 GHz)

## Environment

Operating temperature -25°C to +70°C

Installation height maximum 2000m above sea level

## Housing

LxWxH: approx. 63.5 x 25.3 x 26 mm

Material: ABS

Weight: approx. 50 gram

Color: RAL9003 +

## Protection degree

IP54

## Sensortype 1+2

