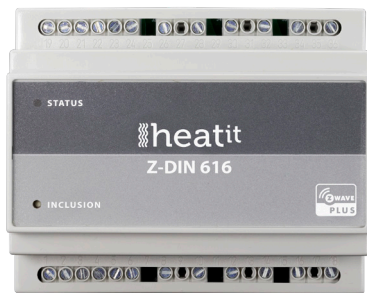
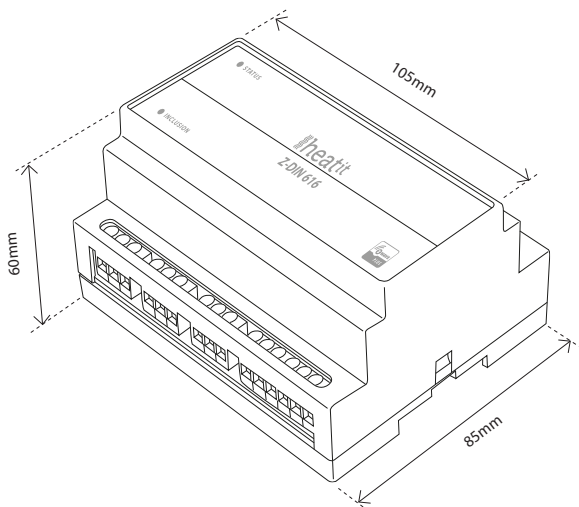


HEATIT Z-DIN 616



Heatit Z-DIN 616 is a 6 x 16A potential free relay for DIN-rail mounting. The module is equipped with 6 relay switches and 6 digital inputs. The 6 independent relay switches of the Heatit Z-DIN 616 can be controlled freely through the Z-Wave network and may be used for many different purposes. For example, the 6 digital inputs may be connected to potential-free connectors or open collector outputs, and the inputs allow you to control other Z-Wave devices by sending commands through the Z-Wave network. The Heatit DIN-rail module can be used for connecting 6 230V AC loads freely controllable from the Z-Wave network. All 6 relay outputs are galvanically separated. The 6 inputs of the DIN-rail module allow you to activate predefined scenes in a Z-Wave gateway.



PRODUCT INFO Heatit Z-DIN 616

FEATURES

- DIN rail module with 6 relay outputs and 6 digital inputs
- Z-Wave interface for other systems in order to control them through the Z-Wave network
- Mounted on DIN-rail in switchboard
- Potential free circuit control
- 6 x 16A potential free relays
- 2-pole switch solution when using 2 x relays combined
- Works as slave Z-Wave repeater
- Firmware Update (OTA)
- Supports encryption mode: S0, S2 Authenticated Class, S2 Unauthenticated Class

This product is a security enabled Z-Wave Plus product with encryption. The product must be used with a security enabled Z-Wave Controller in order to fully utilize the product.

TECHNICAL DATA

Protocol	Z-Wave, 868,4MHz
SDK	6.71.03
Rated voltage	10 - 24V DC 8 - 24V AC
Power consumption	0,6W + 0,5W pr. active relay (max 4W)
Screw terminals	0,2 - 2,5 mm ²
Outputs	6 x 1-pole potential free (10mm clearance) AC1: 16A 250V AC AC3: 750W (engine) AC15: 360VA Max. inrush current 80A/20ms
Contacts	Common and Normally Closed
Inputs	6 x 1-pole potential free (5 mm clearance), max 10V DC
Input impedance	10 kOhm
Network range	Up to 40 meters (depending on surroundings)
IP Code	IP 20
Size (HxWxD)	85 x 105 x 60 mm M36 6-module
Certifications	Z-Wave Plus (pending) CE EN 50491-3: 2009 EN 60669-2: 2004 EMC 2014/30/EU, RoHS 2011/65/EU LVD 2014/35/EU

WARRANTY

2 years

ART. NO.	PRODUCT	Z-WAVE FREQUENCY
45 125 61	Heatit Z-DIN 6x16A	EU 868,4MHz*

The product is also available in other Z-Wave frequency versions on request.

Product specifications may change without further notice. All electrical installations must be carried out by a licensed electrician. The product must be installed in accordance with national building codes and our installers manual.