

HEATIT WIFI

- Intelligent Smart Home Thermostat



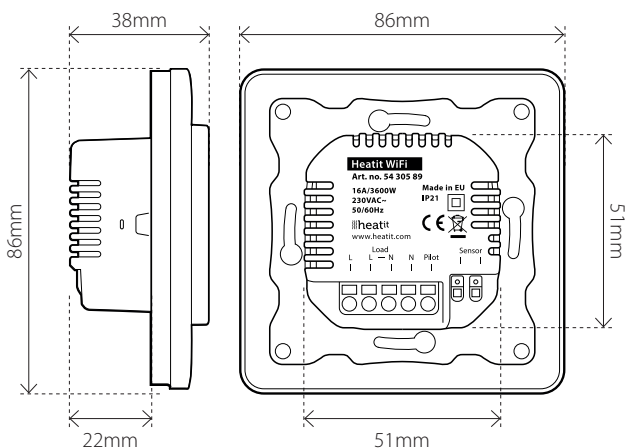
HEATIT WIFI
White RAL 9003

54 305 89

Heatit WiFi thermostat is an electronic thermostat for electrical underfloor heating. The thermostat has a simple user interface and can be easily programmed via the capacitive buttons. The color screen displays an accessible user interface. The thermostat has a built-in WiFi chip that allows you to control it from a user-friendly app. The "Heatit WiFi" app is available on Google Play and in the App Store. Works with Amazon Alexa and Google Home (pending). If you are installing multiple thermostats in the same house, you may copy the settings from one thermostat to the next. This simplifies installation.

Heatit WiFi thermostat 16A is equipped with a single-pole switch and fits into most common frames (e.g. System 55, Elko RS16, Schneider Exxact). The thermostat can withstand a load of max 16A/3600W at 230VAC. We recommend a contactor for loads above 13A. The thermostat may be connected to an external sensor.

The thermostat is designed for electrical heating.



PRODUCT INFO Heatit WiFi

FUNCTIONS

- Floor sensor or external sensor
- Alarm/notifications in app
- Internal room sensor
- Firmware update (OTA)
- Power regulator
- Energy calculator
- Adaptive regulation
- Single pole switch
- Temperature limiter
- Lock mode/Child lock
- Weekly schedule
- Calibration
- Home/Away/Anti-frost
- Amazon Cloud
- Control via app
- Norwegian/Swedish/English/Finnish/Dutch languages

TECHNICAL DATA

Protocol	WiFi 2.4GHz 802.11 bgn
Display	1.8" TFT, 128x160 resolution
Rated voltage	230VAC 50Hz
Max load	3600W (only resistive loads) Recommends contactor for loads higher than 13A
Max current	16A
Power consumption	<2W
Ambient temperature	2°C to 30°C
Temperature range	5°C to 40°C
Hysteresis	0.2°C to 2°C (0.5°C standard)
Compatible with NTC sensors with values	6.8, 10, 12, 15, 22, 33, 47, 100 kΩ @ 25°C
IP Code	IP 21
Approvals	CE EN 60730-1:2016, EN 60730-2-9:2019, ETSI EN 300 328 V2.2.2, RoHS 2011/65/EU LVD 2014/35/EU

Approved for use in bathrooms.

TERMINAL

Use 1.5mm² or 2.5mm² according to load.

MAINTENANCE

The device is maintenance-free, but must never be covered.

WARRANTY

2 years

ART. NO.	PRODUCT	COLOR	FREQUENCY
54 305 89	Heatit WiFi thermostat 3600W 16A	White RAL 9003	WiFi 2.4GHz