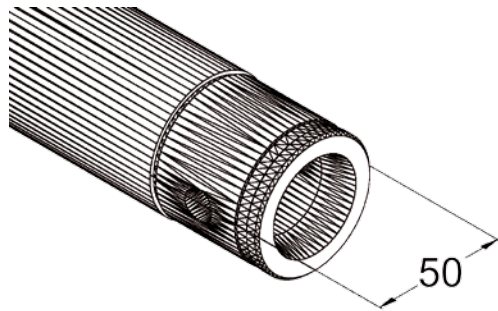


## SINGLELOCK SP/POWER PSP

SINGLELOCK SP is a 1-point truss system made of aluminium. The individual elements are connected via one cone, pivots and pins. The advantage of the conical connection system is that the cone completely fits into the main chord so that highest load capacity is guaranteed. The Quick-Lock system enables fast, efficient and highly aesthetic assembly when the truss constructions are frequently assembled and dismantled. The main chord is made of 50 mm aluminium tube with 2 mm wall thickness and offers a good relation between strength and weight. SINGLELOCK SP is a stable truss system for higher loads and extended durability. This system is mainly designed for intense use in stage installations, fair installations, event installations but also for permanent installations in discotheques and theatres. With SINGLELOCK SP, decorative frames with advertising signs, transmission canvas etc. can be realized. The documentation of this truss system is closely related to the Codes of Practice SR 1.0 – Provision and Use of Truss Systems published by the VPLT/PLASA. Please note: this truss system must never be combined with other systems!



- Systems are available in RAL and special varnishing on request
- All sizes available
- Near-term delivery



including connecting cone

### ALUTRUS SINGLELOCK QUICK-LOCK pipe

- No. 60210010.....SP-500
- No. 60210020.....SP-1000
- No. 60210030.....SP-1500
- No. 60210040.....SP-2000
- No. 60210050.....SP-2500
- No. 60210060.....SP-3000



#### Materials used:

Alloy: EN-AW 6060 T66 (AlMgSi0,5 T66)  
Main chords: 50 x 2 mm

Load table SP:		
Span (m)	Point load (kg)	UDL (kg/m)
0,5	230	465,0
1,0	115	225,0
1,5	75	150,0
2,0	55	110,0
2,5	45	90,0
3,0	35	75,0
3,5	30	63,0
4,0	25	53,0

Maximum system-length: 4 meters



### ALUTRUS SINGLELOCK POWER QUICK-LOCK pipe

- No. 60210195.....PSP-500
- No. 60210196.....PSP-1000
- No. 60210197.....PSP-1500
- No. 60210198.....PSP-2000
- No. 60210199.....PSP-2500
- No. 6021019A.....PSP-3000

#### Materials used:

Alloy: EN-AW 6060 T66 (AlMgSi0,5 T66)  
Main chords: 50 x 3 mm

