

0,5mm

0,75mm

Cut parts from sheet carefully with sharp knife.

Use scissors, sand paper or file to clean supports.

Bending tool is strongly recommended for bending.

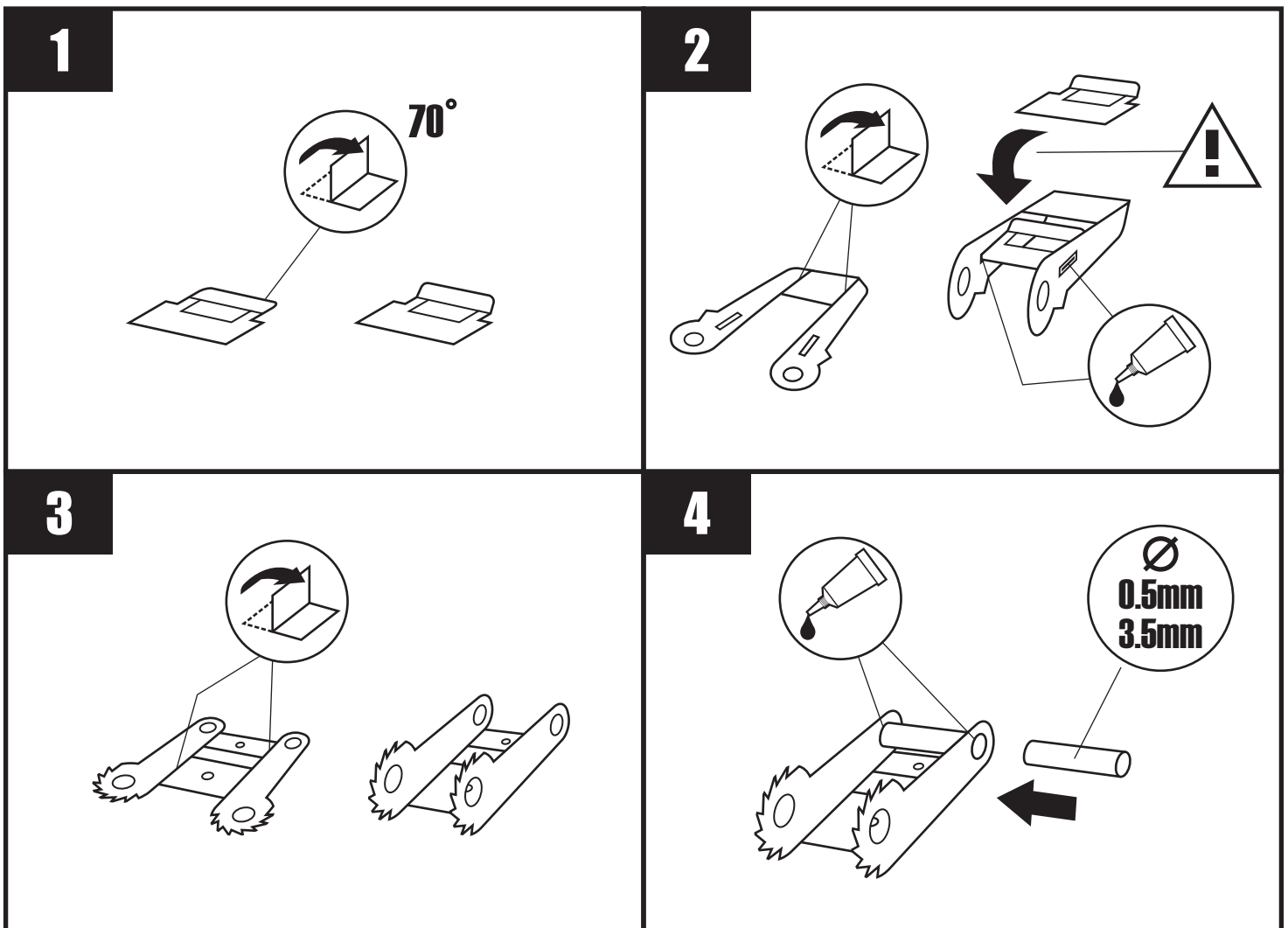
When bending PE parts the nickled surface may break.

Use fine sand paper to clean corners.

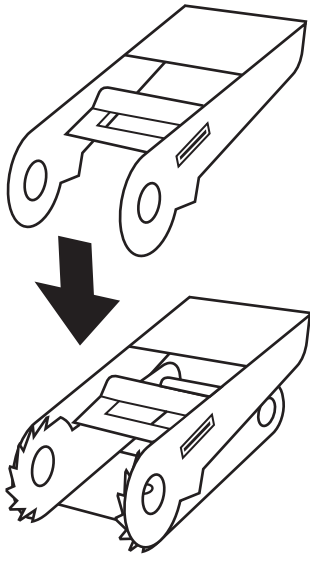
Use super glue (cyanoacrylate) for assembly.

Highlight Model Studio is a brand by a Finnish company Riemu Design. Our product range is focused on 1:24 and 1:25 scale model car details.

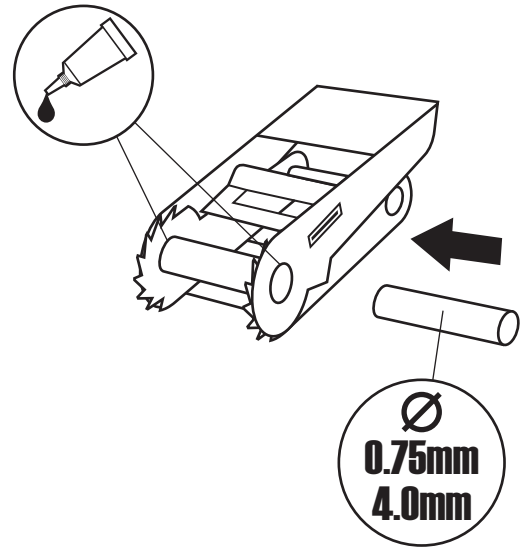
Highlight Model Studio products are designed for advanced modelers. Copyright: Riemu Design



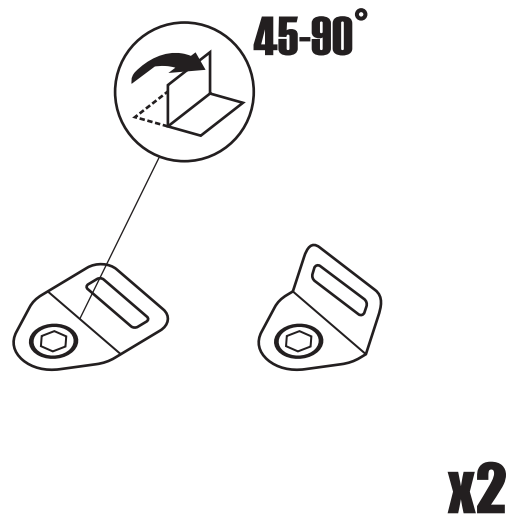
5



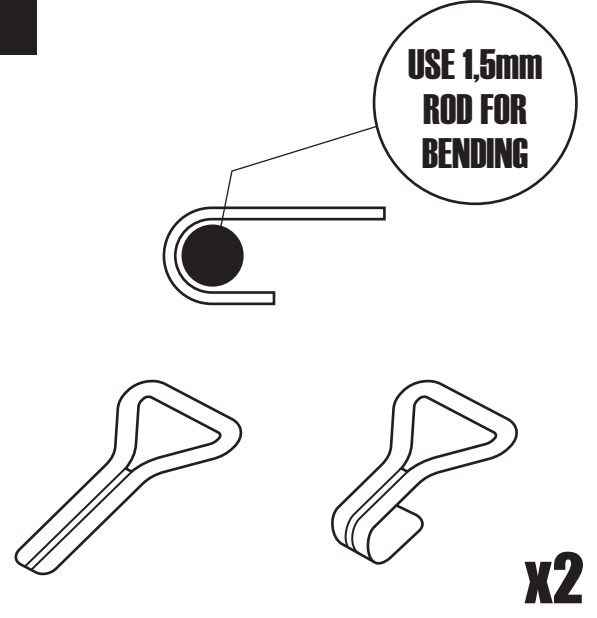
6



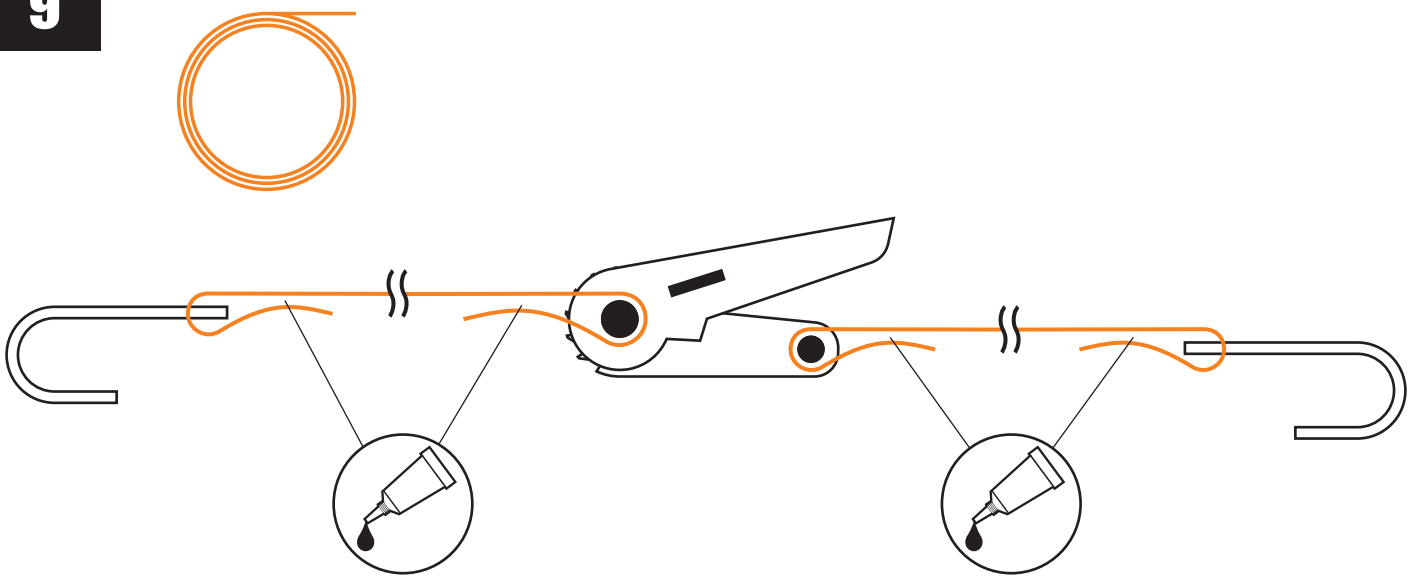
7

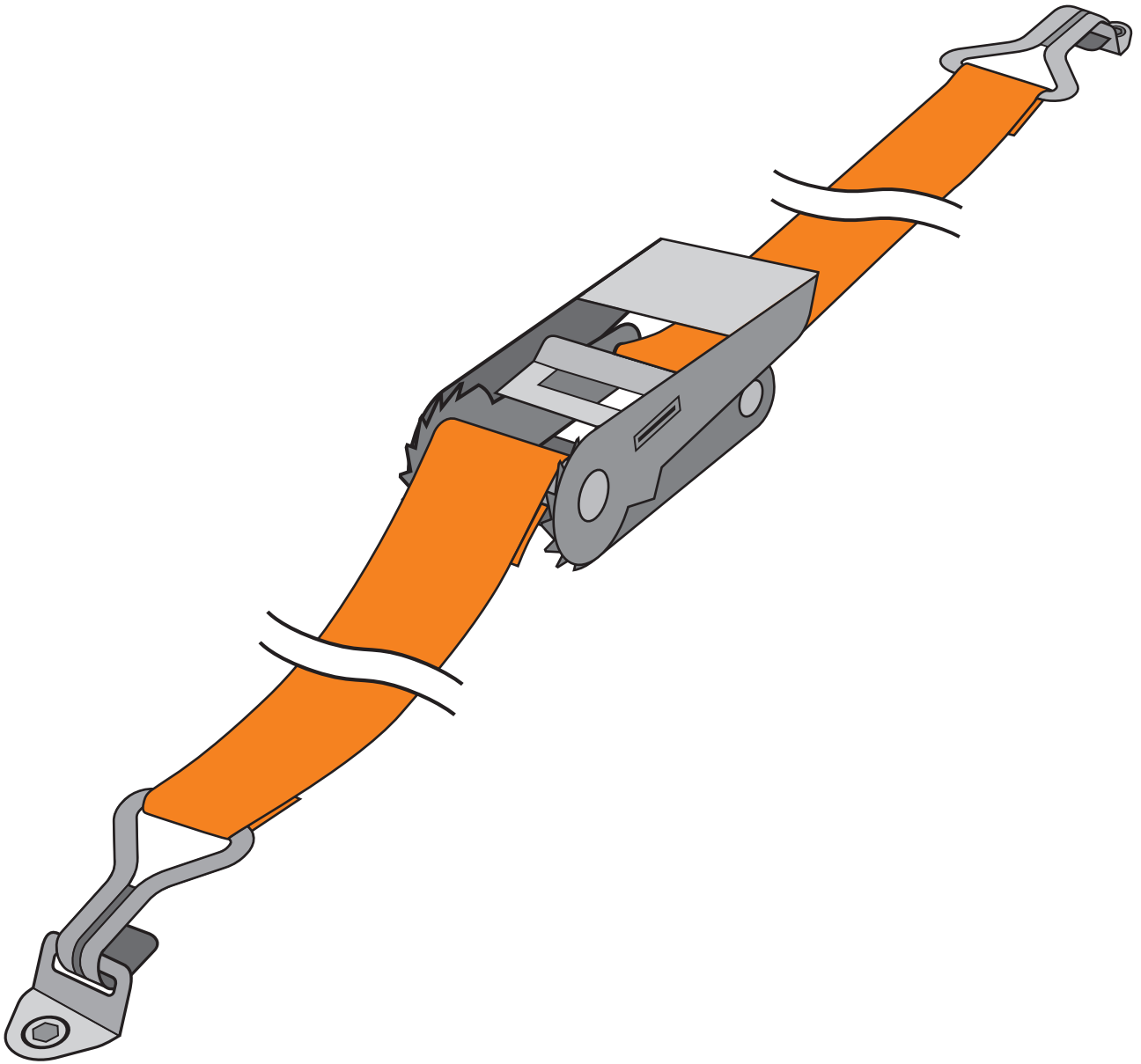


8



9





x2