



INSTALLATION INSTRUCTIONS

ATV Front Plow Mount Kit

Part Number: 80554

Applications: 2005-2009 Honda Foreman 500
2005-2009 Honda Foreman ES 500
2005-2008 Honda Rubicon 500

Your safety, and the safety of others, is very important. To help you make informed decisions about safety, we have provided installation and operating instructions and other information on labels and in this guide. This information alerts you to potential hazards that could hurt you or others. It is not possible to warn you about all potential hazards associated with this product, you must use your own good judgment.

CARELESS INSTALLATION AND OPERATION CAN RESULT IN SERIOUS INJURY OR EQUIPMENT DAMAGE. READ AND UNDERSTAND ALL SAFETY PRECAUTIONS AND OPERATING INSTRUCTIONS BEFORE INSTALLING AND OPERATING THIS PRODUCT.

This guide identifies potential hazards and has important safety messages that help you and others avoid personal injury or death. **WARNING** and **CAUTION** are signal words that identify the level of hazard. These signal words mean:

▲ WARNING signals a hazard that *could* cause serious injury or death, if you do not follow recommendations. **▲ CAUTION** signals a hazard that *may* cause minor to moderate injury, if you do not follow recommendations.

This guide uses **NOTICE** to call attention to important mechanical information, and **Note**: to emphasize general information worthy of special attention.

▲ WARNING

INJURY HAZARD

Failure to observe these instructions could lead to severe injury or death.

- Always** Read the Plow Operator's Manual, the Winch Operator's Manual and all warning labels before operating.
- Always** use extreme caution when drilling on any vehicle. Make sure that all fuel lines, brake lines, electrical wires, and other objects are not punctured or damaged when/if drilling on the vehicle. Thoroughly inspect the area to be drilled (on both sides of material) prior to drilling, and relocate any objects that may be damaged. Failure to inspect the area to be drilled may result in vehicle damage, electrical shock, fire or personal injury.
- Always** wear safety glasses when installing this kit. A drilling operation will cause flying metal chips. Flying chips can cause eye injury.
- Always** use extreme caution when cutting and trimming during fitting.
- Always** remove jewelry and wear eye protection.
- Never** lean over battery while making connections.
- Never route electrical cables:**
 - Across any sharp edges.
 - Through or near moving parts.
 - Near parts that become hot.
- Always** insulate and protect all exposed wiring and electrical terminals.
- Always** install terminal boots as directed in installation instructions.
- Always** use appropriate and adequate care in lifting components into place.
- Always** insure components will remain secure during installation and operation.
- Always** tighten all nuts and bolts securely, per the installation instructions.
- Always** operate the vehicle at a walking speed with the blade installed. Never exceed 5 mph (8 km/h), even with blade up.
- Always** plow cautiously, impact with hidden or stationary object may cause the vehicle to stop suddenly or go out of control.
- Never** operate the vehicle on slopes greater than 10 degrees with the plow installed.
- Never** stand or ride on the plow.
- Always** stay clear of moving parts and joints. Always keep others away when operating or adjusting plow.
- Always** perform regular inspections and maintenance on the plow mechanism, fasteners, cable and related hardware.
- Always** replace all worn or damaged parts before operating.
- Never** operate this WARN product with damaged or missing parts.
- Always** drive slowly over bumpy and rough terrain. Driving at speeds that cause the plow to bounce while in the up position can cause the winch to back-drive, causing the plow to work its way down. This may result in the plow impacting a stationary object and cause damage to the vehicle and operator injury or death.
- Always** drive at speeds such that the plow does not bounce and be aware of the plow position while driving at all times.
- Always** be aware that the purpose of the j-bolt is to break the connection between the plow and the winch, to prevent serious damage to the ATV if the plow is raised too high. The plow blade will drop suddenly if the j-bolt breaks, so always be sure there are no bystanders when you raise and lower the plow.
- Never** raise the top of the plow above the headlights of the ATV, as it may damage the vehicle and plow.
- Always** replace a deformed or broken j-bolt with the spare j-bolt included in the kit.

⚠ Caution
Moving Parts Entanglement Hazard
Failure to observe these instructions could lead to minor or moderate injury.
<input type="checkbox"/> Always take time to fully read and understand the installation and Operations Guide included with this product. <input type="checkbox"/> Never operate this product if you are under 16 years of age. <input type="checkbox"/> Never operate this product when under the influence of drugs, alcohol or medications.
Read installation and operating instructions thoroughly.

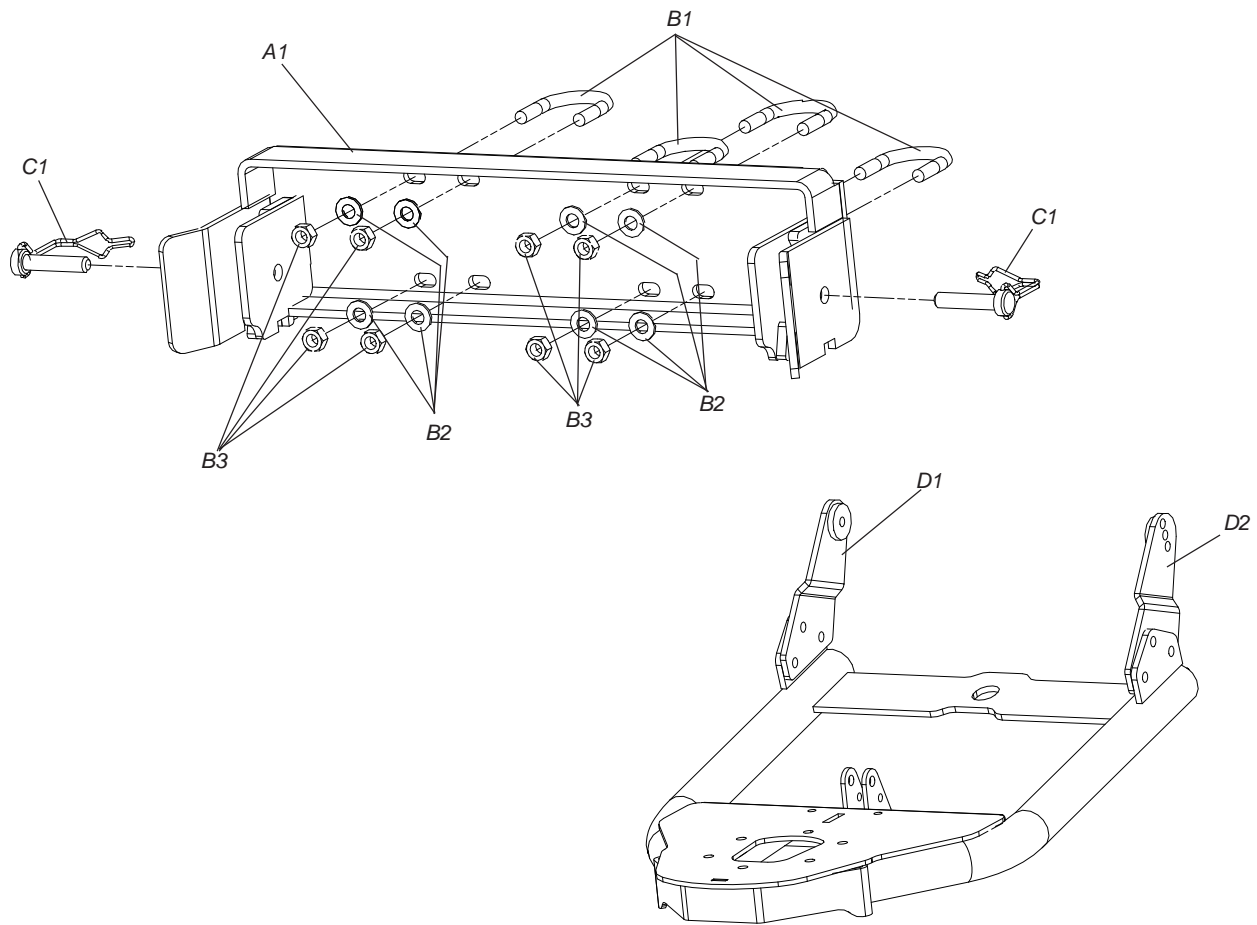
Notice
Equipment Damage
<input type="checkbox"/> Always refer to the Installation and Specification Guide, supplied in the winch kit, for all wiring schematics and specific details on how to wire this WARN product to your vehicle. <input type="checkbox"/> Never overtighten the j-bolt to the bracket. Doing so will pinch the winch cable against the bracket, damaging the cable. <input type="checkbox"/> Always put the end of the actuator cable through the slot in the Termination Bracket. Terminating the cable through any other hole in the bracket will cause the bracket to not function properly and will drastically reduce the life of the actuator cable.
Read installation and operating instructions thoroughly.

Before You Begin

This kit is compatible with WARN's line of ATV winches. Winch sold separately. Please read WARN's Winching Technique guide provided with the winch prior to use of this product.

Table of Contents

I.	Parts List	3
II.	Tools Required	3
III.	Torque Specifications	3
IV.	Foreman Installation	4-5
V.	Rubicon Installation	6
VI.	Maintenance/Care	6



I. Parts List

<u>Ref</u>	<u>Part #</u>	<u>Description</u>	<u>Qty</u>
A1	79716	Plow Mount Weldment	1
B1	60870	U-bolt, 5/16-18x1-1/4x1-3/4	4
B2	1324	5/16" flat washer	8
B3	2002	5/16-18 lock nut	8
C1	79712	3/8" Safety Retaining Clip	2
D1	79340	RH Bolt On Offset Weldment	1
D2	79341	LH Bolt On Offset Weldment	1

II. Tools Required

- Ratchet
- Sockets: 1/2"
- Drive extension and u-joint

III. Torque Specifications

1/4, 6mm	8 lb. ft. (10.8 N-m)
5/16, 8mm	17 lb. ft. (22.5 N-m)
3/8, 10mm	30 lb. ft. (40.7 N-m)
7/16, 11mm	50 lb. ft. (67.8 N-m)
1/2, 12mm	75 lb. ft. (101.7 N-m)

IV. Foreman Installation

1. Figure 1 shows pocket behind front plastic fascia where front plow mount will be installed. The front plow mount can be installed along with existing winch mount and body armor kits.

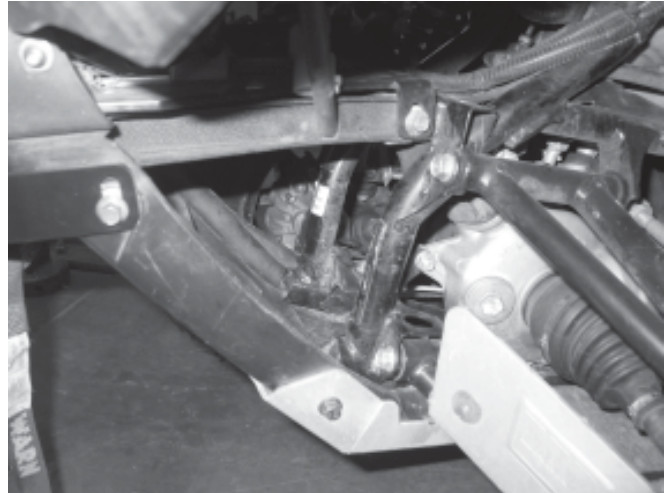


Figure 1

2. Slide front plow mount through vehicle frame in orientation as shown in Figure 2. Rotate the mount as required to provide adequate clearance.

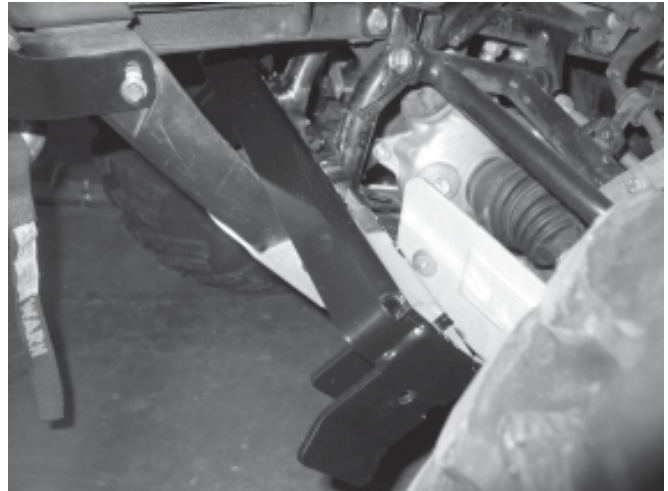


Figure 2

3. Slide u-bolts around vehicle frame tube and through back side of plow mount as shown in Figure 3.

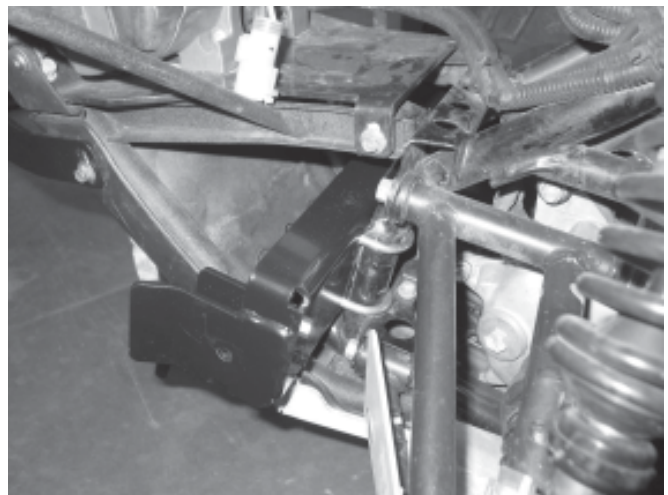


Figure 3

IV. Foreman Installation *continued*

4. On front side of plow mount place 5/16" washer and nuts on u-bolts and tighten to 17lb. ft. (22.5 N-m), as shown in Figure 4. An extension and u-joint attachment on the ratchet will provide better access to mounting hardware.

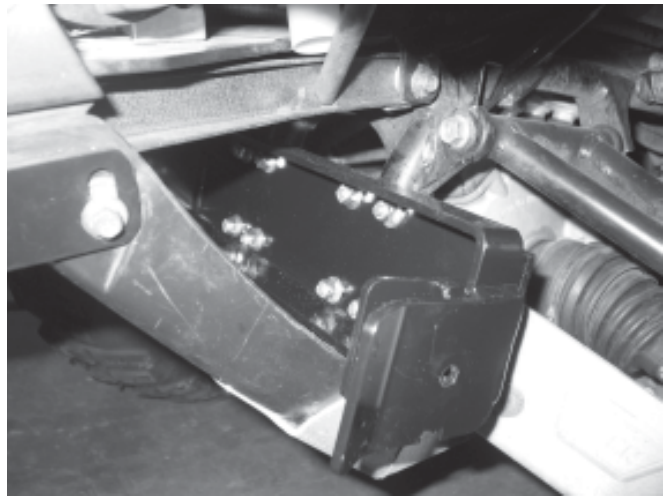


Figure 4

5. Figure 5 shows a completed installation with front plow mount bolted in place.

6. Bolt on right hand and left hand offset tab weldments to push tube base in orientation shown in Figure on page 3. Hardware is supplied with the plow kit. Torque hardware to specification once proper fit has been verified with vehicle plow mount.

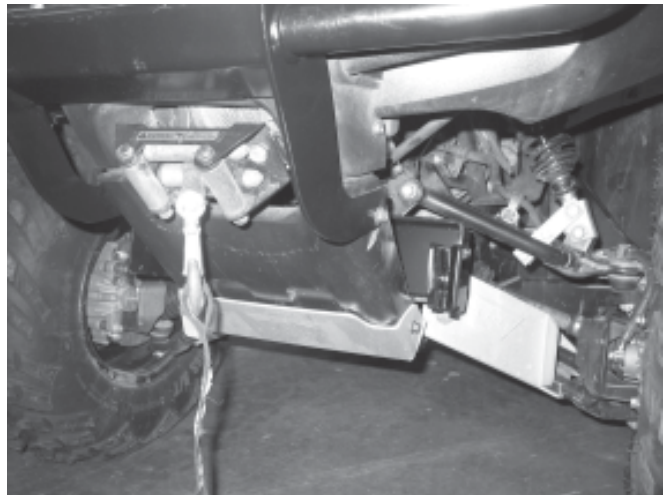


Figure 5

V. Rubicon Installation

The previous instructions have shown how to mount the front plow mount assembly to the Honda Foreman, either with or without winch mount installed. The early Rubicon model years have a very similar mount, however the entire bumper assembly may need to be removed from vehicle allowing access to install the plow mount assembly with the winch mount.

The front plow mount installation is now complete. Proceed to section VII, entitled “Maintenance/Care”.

VI. Maintenance / Care

- Inspect all metal parts on the plow, plow mount, and related hardware. Replace all parts that appears rusted or deformed prior to use.
- Inspect all nuts and bolts on the plow, plow mount, and related hardware prior to each use. Tighten all nuts and bolts that appear to be loose. Stripped, fractured, or bent bolts or nuts need to be replaced immediately.
- Check all cables prior to use. Replace cables that are worn or frayed.
- Check all moving and rotating parts. Remove debris that may inhibit the part from moving freely.

WARNING

READ THE VEHICLE'S OPERATOR MANUAL, WINCH OPERATOR MANUAL, AND ALL WARNING LABELS PRIOR TO OPERATION OF ATV AND WINCH.

WARNING

FAILURE TO SECURELY TIGHTEN ALL BOLTS ON THE PLOW MOUNT, WINCH PLATE, WINCH, AND FAIRLEAD CAN RESULT IN PRODUCT FAILURE WHICH MAY RESULT IN VEHICLE DAMAGE AND OPERATOR INJURY OR DEATH. DOUBLE CHECK THAT ALL BOLTS ARE SECURELY TIGHTENED PRIOR TO USE.

WARNING

PERFORM REGULAR INSPECTIONS ON THE PLOW, PLOW MOUNT, AND RELATED HARDWARE. NEVER OPERATE THE PLOW WITH DAMAGED OR MISSING PARTS. FAILURE TO FOLLOW THIS WARNING MAY CAUSE VEHICLE DAMAGE AND OPERATOR INJURY OR DEATH.