



## INSTALLATION INSTRUCTIONS

### ATV Front Plow Mount Kit

Part Number: 79673

Applications: 2006-2009 Honda Rincon 680

2003-2005 Honda Rincon 650

**\*Not compatible with 2.5ci and A2000 winches.**

Your safety, and the safety of others, is very important. To help you make informed decisions about safety, we have provided installation and operating instructions and other information on labels and in this guide. This information alerts you to potential hazards that could hurt you or others. It is not possible to warn you about all potential hazards associated with this product, you must use your own good judgment.

**CARELESS INSTALLATION AND OPERATION CAN RESULT IN SERIOUS INJURY OR EQUIPMENT DAMAGE. READ AND UNDERSTAND ALL SAFETY PRECAUTIONS AND OPERATING INSTRUCTIONS BEFORE INSTALLING AND OPERATING THIS PRODUCT.**

This guide identifies potential hazards and has important safety messages that help you and others avoid personal injury or death. **WARNING** and **CAUTION** are signal words that identify the level of hazard. These signal words mean:

**⚠ WARNING** signals a hazard that *could* cause serious injury or death, if you do not follow recommendations. **⚠ CAUTION** signals a hazard that *may* cause minor to moderate injury, if you do not follow recommendations.

This guide uses **NOTICE** to call attention to important mechanical information, and **Note**: to emphasize general information worthy of special attention.

## ⚠ WARNING

### INJURY HAZARD

**Failure to observe these instructions could lead to severe injury or death.**

- Always** Read the Plow Operator's Manual, the Winch Operator's Manual and all warning labels before operating.
- Always** use extreme caution when drilling on any vehicle. Make sure that all fuel lines, brake lines, electrical wires, and other objects are not punctured or damaged when/if drilling on the vehicle. Thoroughly inspect the area to be drilled (on both sides of material) prior to drilling, and relocate any objects that may be damaged. Failure to inspect the area to be drilled may result in vehicle damage, electrical shock, fire or personal injury.
- Always** wear safety glasses when installing this kit. A drilling operation will cause flying metal chips. Flying chips can cause eye injury.
- Always** use extreme caution when cutting and trimming during fitting.
- Always** remove jewelry and wear eye protection.
- Never** lean over battery while making connections.
- Never route electrical cables:**
  - Across any sharp edges.
  - Through or near moving parts.
  - Near parts that become hot.
- Always** insulate and protect all exposed wiring and electrical terminals.
- Always** install terminal boots as directed in installation instructions.
- Always** use appropriate and adequate care in lifting components into place.
- Always** insure components will remain secure during installation and operation.
- Always** tighten all nuts and bolts securely, per the installation instructions.
- Always** operate the vehicle at a walking speed with the blade installed. Never exceed 5 mph (8 km/h), even with blade up.
- Always** plow cautiously, impact with hidden or stationary object may cause the vehicle to stop suddenly or go out of control.
- Never** operate the vehicle on slopes greater than 10 degrees with the plow installed.
- Never** stand or ride on the plow.
- Always** stay clear of moving parts and joints. Always keep others away when operating or adjusting plow.
- Always** perform regular inspections and maintenance on the plow mechanism, fasteners, cable and related hardware.
- Always** replace all worn or damaged parts before operating.
- Never** operate this WARN product with damaged or missing parts.
- Always** drive slowly over bumpy and rough terrain. Driving at speeds that cause the plow to bounce while in the up position can cause the winch to back-drive, causing the plow to work its way down. This may result in the plow impacting a stationary object and cause damage to the vehicle and operator injury or death.
- Always** drive at speeds such that the plow does not bounce and be aware of the plow position while driving at all times.
- Always** be aware that the purpose of the j-bolt is to break the connection between the plow and the winch, to prevent serious damage to the ATV if the plow is raised too high. The plow blade will drop suddenly if the j-bolt breaks, so always be sure there are no bystanders when you raise and lower the plow.
- Never** raise the top of the plow above the headlights of the ATV, as it may damage the vehicle and plow.
- Always** replace a deformed or broken j-bolt with the spare j-bolt included in the kit.

<b>⚠ Caution</b>
<b>Moving Parts Entanglement Hazard</b>
<b>Failure to observe these instructions could lead to minor or moderate injury.</b>
<input type="checkbox"/> <b>Always</b> take time to fully read and understand the installation and Operations Guide included with this product. <input type="checkbox"/> <b>Never</b> operate this product if you are under 16 years of age. <input type="checkbox"/> <b>Never</b> operate this product when under the influence of drugs, alcohol or medications.
<b>Read installation and operating instructions thoroughly.</b>

<b>Notice</b>
<b>Equipment Damage</b>
<input type="checkbox"/> <b>Always</b> refer to the Installation and Specification Guide, supplied in the winch kit, for all wiring schematics and specific details on how to wire this WARN product to your vehicle. <input type="checkbox"/> <b>Never</b> overtighten the j-bolt to the bracket. Doing so will pinch the winch cable against the bracket, damaging the cable. <input type="checkbox"/> <b>Always</b> put the end of the actuator cable through the slot in the Termination Bracket. Terminating the cable through any other hole in the bracket will cause the bracket to not function properly and will drastically reduce the life of the actuator cable. <input type="checkbox"/> This kit design is compatible with RT/XT WARN winches. Other winches may not fit. Contact customer service with questions on application.
<b>Read installation and operating instructions thoroughly.</b>

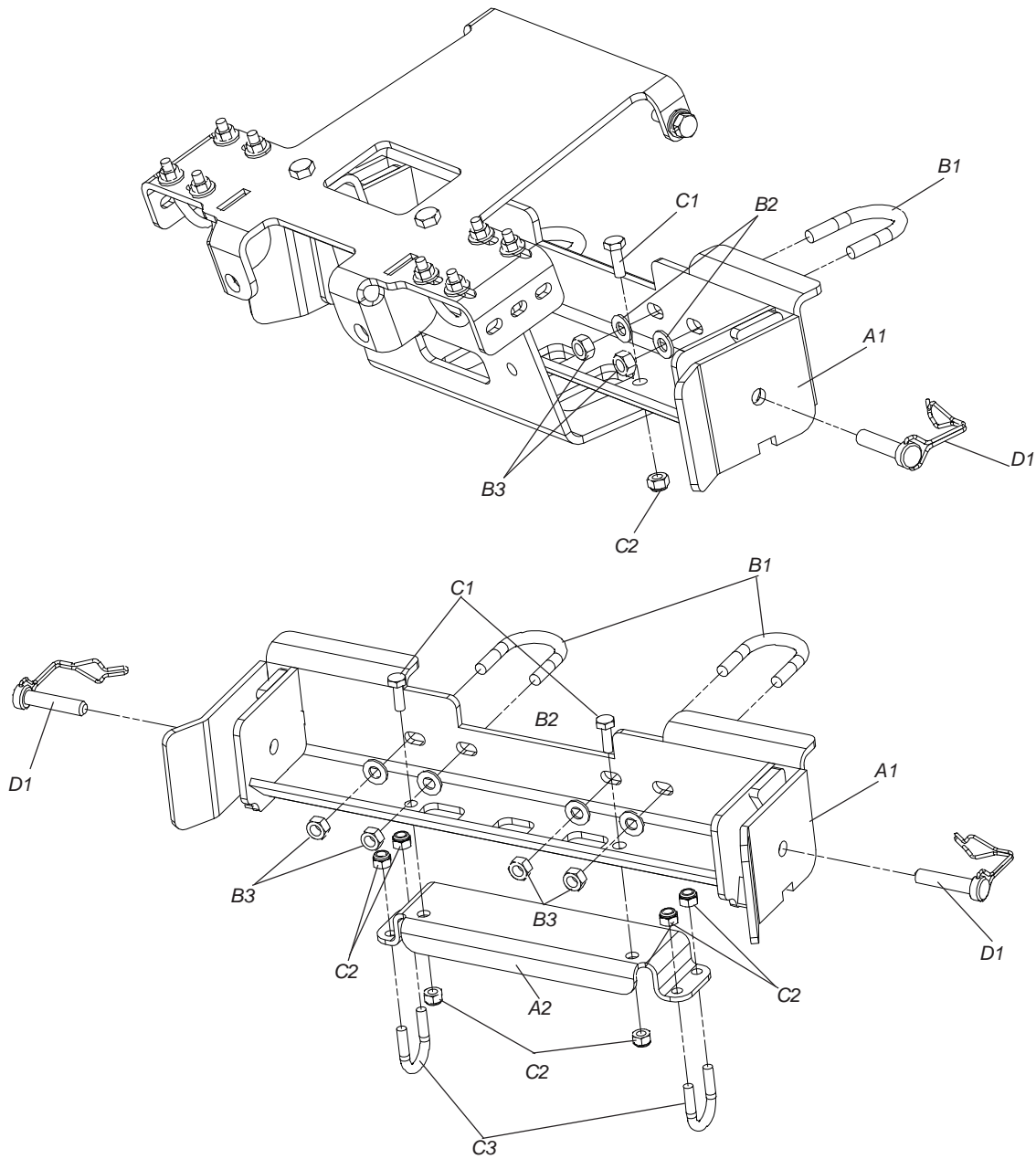
## Before You Begin

This kit is compatible with WARN’s RT/XT line of ATV winches. Other winches may not fit.

Winch is sold separately. Please read WARN’s Winching Technique guide provided with the winch prior to use of this product.

## Table of Contents

I.	Parts List .....	3
II.	Tools Required .....	3
III.	Torque Specifications .....	4
IV.	Rincon Installation .....	3-7
V.	Rubicon Installation .....	8
VI.	Maintenance/Care .....	8



## I. Parts List

<u>Ref</u>	<u>Part #</u>	<u>Description</u>	<u>Qty</u>
A1	79670	Plow Mount Weldment	1
A2	80685	Bottom Mount Bracket	1
B1	60869	U-bolt, 5/16-18x1-3/8x2.0	2
B2	1324	5/16" flat washer	4
B3	2002	5/16-18 lock nut	4
C1	7146	Capscrew, 1/4-20x.75	2
C2	6725	1/4-20 lock nut	6
C3	21444	U-bolt, 1/4-20x3/4x1-1/4	2
D1	79712	3/8" Safety Retaining Clip	2

## II. Tools Required

- Ratchet
- Sockets: 10mm, 12mm, 13mm, 7/16", 1/2"
- Wrenches: 13mm, 7/16"
- Allen Wrenches: 5mm
- Drive extension and u-joint
- Needle Nose Pliers
- Shears or a similar cutting device

### III. Torque Specifications

1/4, 6mm	8 lb. ft. (10.8 N-m)
5/16, 8mm	17 lb. ft. (22.5 N-m)
3/8, 10mm	30 lb. ft. (40.7 N-m)
7/16, 11mm	50 lb. ft. (67.8 N-m)
1/2, 12mm	75 lb. ft. (101.7 N-m)

### IV. Rincon Installation (with winch mount installed)

1. Remove the front aluminum skid plate on the vehicle, as show in Figure 1. Save the fasteners as they will be used later to reattach the skid plate.
2. Disconnect both cables from winch. Remove hardware to free winch from bottom bracket, as shown in Figure 2. Remove capscrews, which connect top bracket to bottom bracket and the u-bolts at bottom, which connect bracket to vehicle frame. Keep the top mounting hardware and discard the lower hardware as longer u-bolts will be required. Remove winch and bottom bracket from vehicle.
3. Place winch inside plow mount, as shown in Figure 3 and carefully slide into vehicle frame from the side.

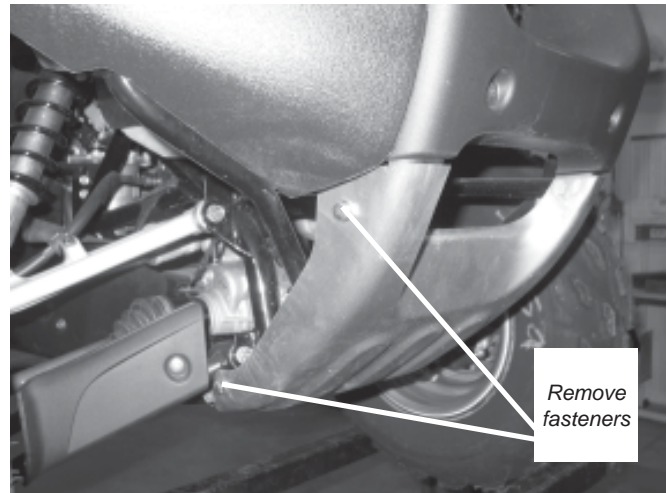


Figure 1

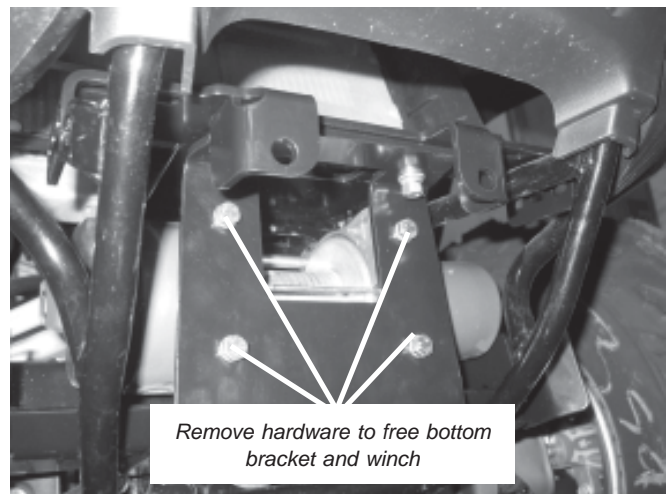


Figure 2

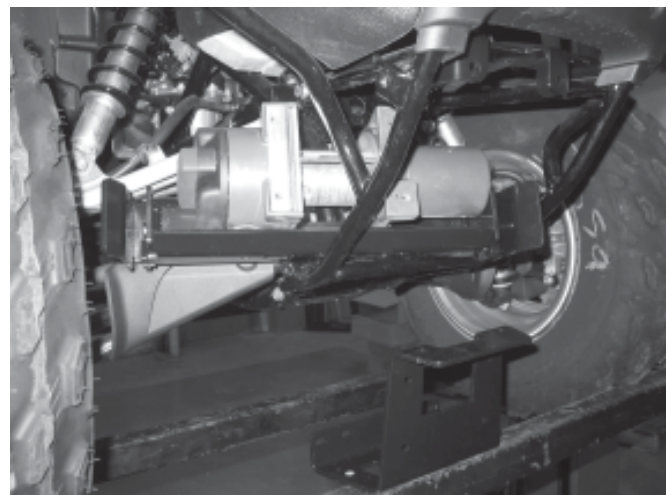


Figure 3

#### IV. Rincon Installation *continued*

- Once winch and plow mount are inside vehicle frame, as shown in Figure 4, reinstall winch mounting hardware (8mm capscrews) and torque to 17 lb. ft. (22.5N-m). Next reinstall top 8mm capscrews (2) that connect top bracket to bottom bracket using the original hardware. Do not tighten at this time. Finally, install 1/4-20 capscrews (2) that connect plow mount assembly to the bottom bracket. Do not torque at this time.

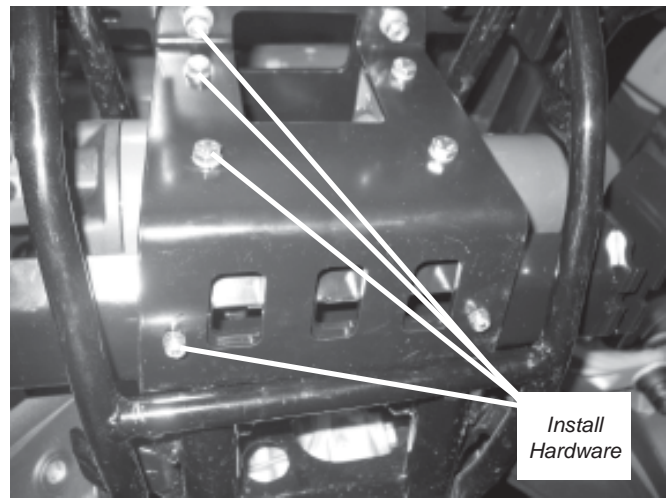


Figure 4

- Install the 5/16-18 u-bolts around the vehicle frame through the back side of the plow mount assembly, as shown in Figure 5. As a result of limited clearance, needle nose pliers can be used to place the washers over u-bolts and 1/2" socket with an extension and u-joint will make it easier to install the nuts on the u-bolts. Do not tighten in place at this time. The access slot on front side of bottom bracket may be used to allow tool access to help tighten the nuts of the u-bolts in place.

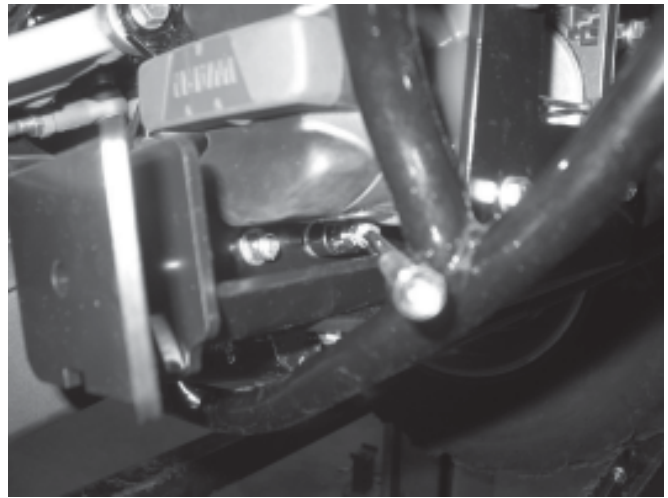


Figure 5

- As viewed from the front of vehicle, see Figure 6, make sure plow mount is level with vehicle frame. Once in place, tighten all hardware and torque to specifications. Winch cables can now be reconnected.

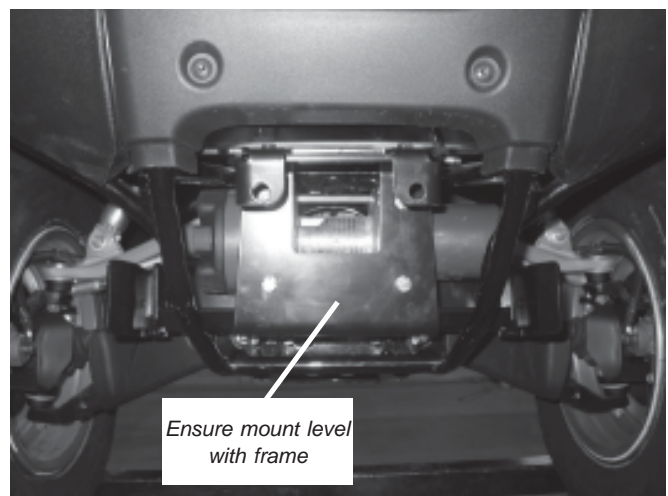


Figure 6



## IV. Rincon Installation *continued*

- Once mounts are secured in place, replace front aluminum skid plate on vehicle, as shown in Figure 7. Some trimming may be required in the area of the plow mount to allow skid plate to bolt up to original mounting location.
- See Figure 8 for completed installation. Fairlead can now be reattached to the mounting plate.

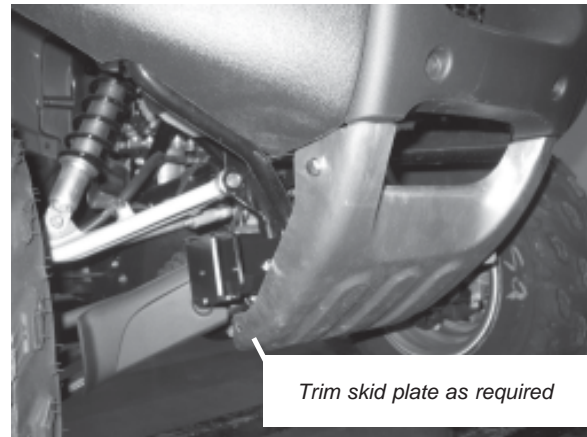


Figure 7

### ***Install the plow mounting tabs.***

- The plow mounting tabs supplied in this kit must be secure to the plow in the position shown. (Figure 9).
- Loosely install the M10 bolts from the plow kit. Attach the plow to the plow mount and then secure the plow mounting tabs. This will insure the best fit for your vehicle.



Figure 8

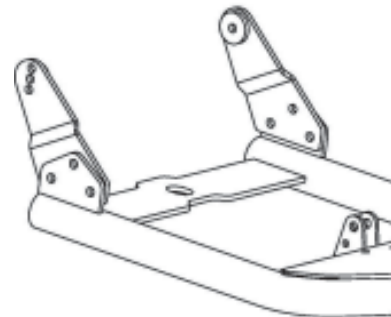


Figure 9

## V. Rincon Installation (without winch mount installed)

- Remove the front aluminum skid plate on the vehicle, as shown in Figure 1 of previous section. Save the fasteners as they will be used later to reattach the skid plate. Figure 9b shows the vehicle frame where the plow mount assembly will be mounted.

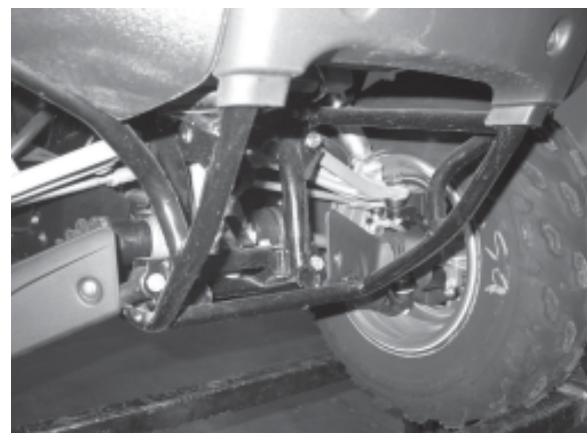


Figure 9b

## V. Rincon Installation *continued*

2. Install the lower plow mount support bracket on crosstube of vehicle frame, as shown in Figure 10. Use the 1/4-20 u-bolts and 1/4-20 locknuts to secure in place, but do not tighten at this time. Lay the plow mount assembly on top of the bracket and lean against the rear frame to get the correct orientation. Remove plow mount assembly and torque u-bolt mounting hardware to 8lb. ft. (10.8 N-m).

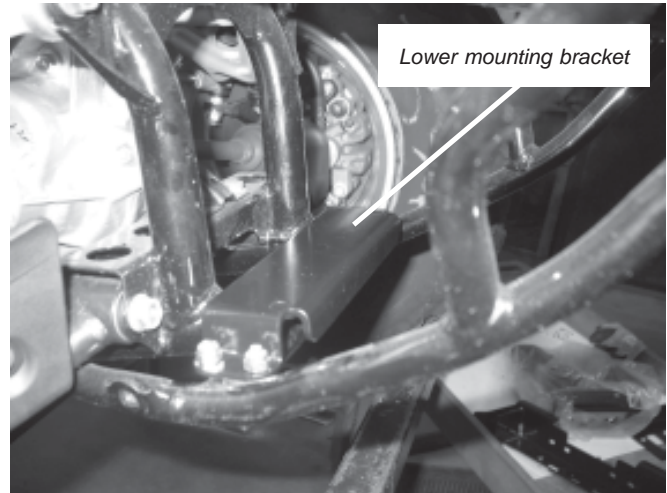


Figure 10

3. Place plow mount assembly on top of lower mounting bracket. Line up holes and use 1/4-20 capscrews to secure in place as shown in Figure 11. Torque 1/4-20 nuts to 8lb. ft. (10.8 N-m).

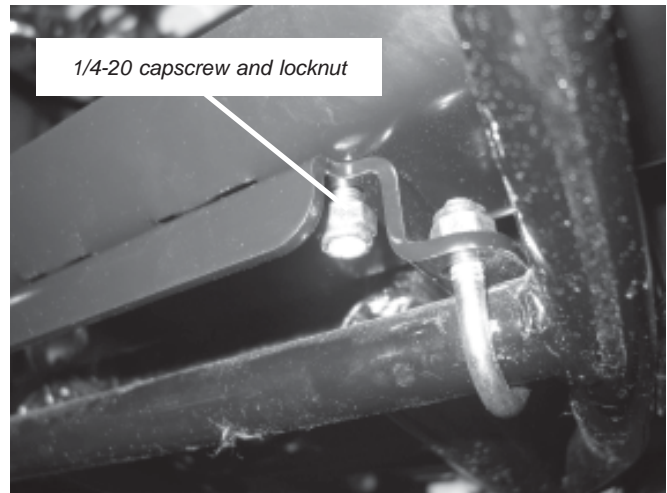


Figure 11

4. Install 5/16-18 u-bolts around vehicle frame and through back side of plow mount assembly as shown in Figure 12. Torque hardware to 17lb. ft. (22.5 N-m). Once mount is secured in place, replace the front aluminum skid plate on vehicle, shown in Figure 7 of previous section. Some trimming may be required in the area of the plow mount allowing skid plate to bolt up to original mounting location. See Figure 8 of previous section for completed installation.

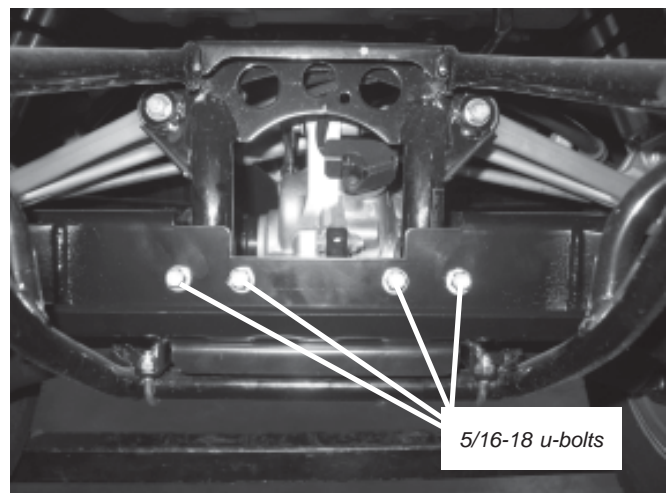


Figure 12

## VI. Rubicon Installation

The previous instructions have shown how to mount the front plow mount assembly to the Honda Rincon, either with or without winch mount installed. The early Rubicon model years have a very similar mount, however the entire bumper assembly may need to be removed from vehicle allowing access to install the plow mount assembly with the winch mount.

**The front plow mount installation is now complete. Proceed to section VII, entitled “Maintenance/Care”.**

## VII. Maintenance / Care

- Inspect all metal parts on the plow, plow mount, and related hardware. Replace all parts that appears rusted or deformed prior to use.
- Inspect all nuts and bolts on the plow, plow mount, and related hardware prior to each use. Tighten all nuts and bolts that appear to be loose. Stripped, fractured, or bent bolts or nuts need to be replaced immediately.
- Check all cables prior to use. Replace cables that are worn or frayed.
- Check all moving and rotating parts. Remove debris that may inhibit the part from moving freely.

### **WARNING**

**READ THE VEHICLE'S OPERATOR MANUAL, WINCH OPERATOR MANUAL, AND ALL WARNING LABELS PRIOR TO OPERATION OF ATV AND WINCH.**

### **WARNING**

**FAILURE TO SECURELY TIGHTEN ALL BOLTS ON THE PLOW MOUNT, WINCH PLATE, WINCH, AND FAIRLEAD CAN RESULT IN PRODUCT FAILURE WHICH MAY RESULT IN VEHICLE DAMAGE AND OPERATOR INJURY OR DEATH. DOUBLE CHECK THAT ALL BOLTS ARE SECURELY TIGHTENED PRIOR TO USE.**

### **WARNING**

**PERFORM REGULAR INSPECTIONS ON THE PLOW, PLOW MOUNT, AND RELATED HARDWARE. NEVER OPERATE THE PLOW WITH DAMAGED OR MISSING PARTS. FAILURE TO FOLLOW THIS WARNING MAY CAUSE VEHICLE DAMAGE AND OPERATOR INJURY OR DEATH.**