

RD135

Nissan H233B,33 SPL

PARTS LIST

ITEM #	QTY	DESCRIPTION	PART #	NOTES
01	1	FLANGE CAP KIT	027314SP	
02	1	BONDED SEAL	160703SP	
03	1	CLUTCH GEAR & WAVESPRING KIT	050904SP	5
04	4	SHORT CROSS SHAFT	060403SP	
05	4	PINION GEAR	SEE NOTE	3
06	4	PINION THRUST WASHER	SEE NOTE	4
07	1	SIDE GEAR	SEE NOTE	3
08	2	SIDE GEAR THRUST WASHER	SEE NOTE	4
09	1	COUNTERSUNK SCREW (PK OF 2)	200213SP	
10	1	RETAINING PIN SET (PK OF 4)	120601SP	
11	-	TAPERED ROLLER BEARING	NOT SUPPLIED	2
12	1	SEAL HOUSING RETAINING CLIP	150601SP	
13	1	SEAL HOUSING KIT	081901SP	
14	1	SEAL HOUSING O-RINGS (PK OF 2)	160207SP	1
15	1	ADJUSTER NUT	100102SP	
16	1	WAVESPRING	150704SP	
17	1	SPLINED SIDE GEAR	SEE NOTE	3
18	1	SPIDER BLOCK	070201SP	
19	1	DIFFERENTIAL CASE	013014SP	
*	9	RING GEAR BOLT SPACER	4581061	
*	1	BULKHEAD FITTING KIT (BANJO TYPE)	170114	6
*	1	AIR LINE (6mm DIA X 6m LONG)	170314	6
*	1	SOLENOID VALVE (12V)	180103	
*	1	SWITCH	180209SP	
*	1	SWITCH COVER (REAR)	180211SP	
*	1	CABLE TIE (PK OF 25)	180305	
*	1	OPERATING & SERVICE MANUAL	210200	
*	1	INSTALLATION GUIDE	2102135	

* *Not illustrated in exploded view*

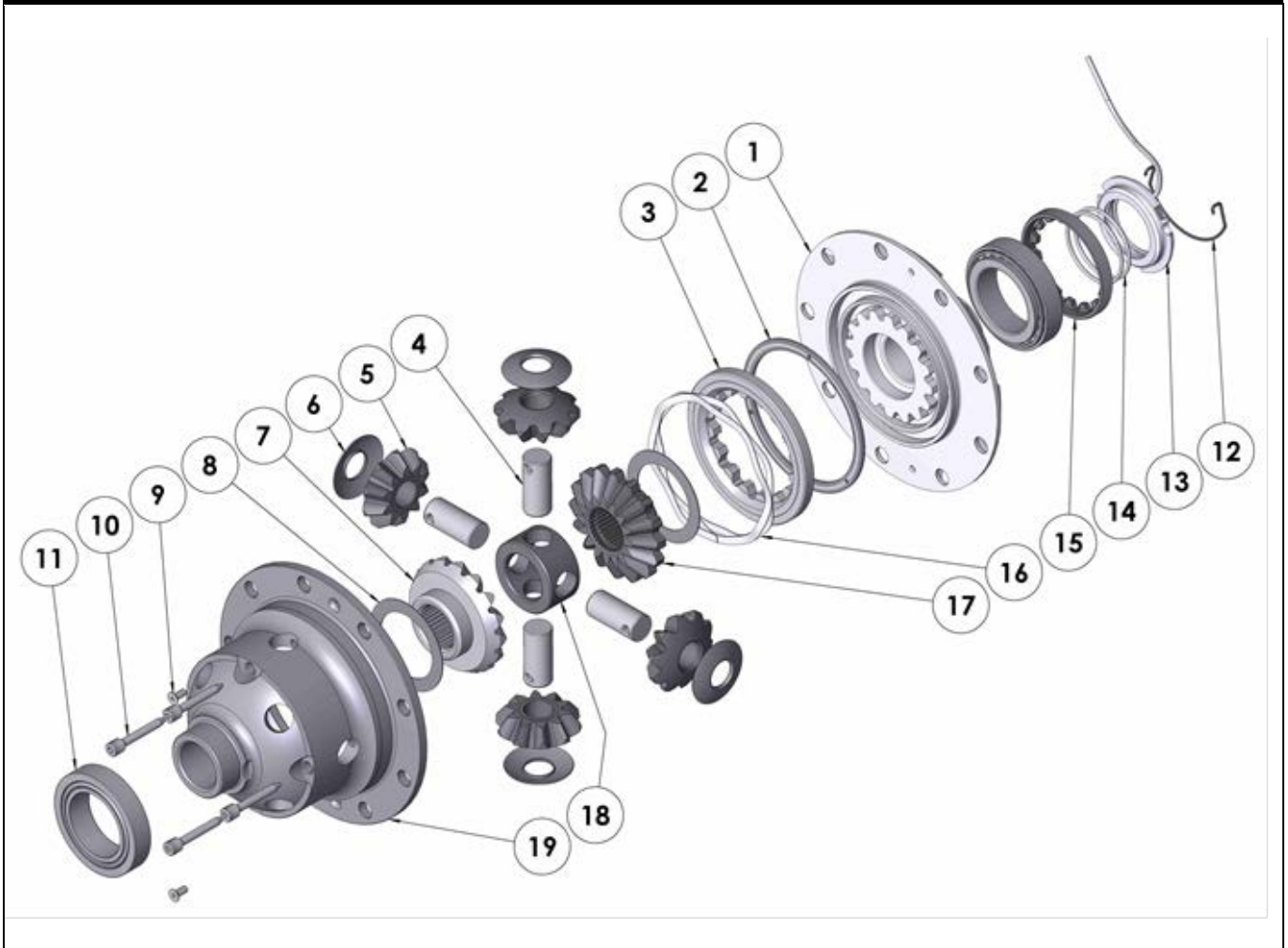
NOTES

- 1 For replacement O-rings use only BS136 Viton 75.
- 2 For replacement Bearing use Timken Bearing #32010X (ARB# 160116).
- 3 Available only as complete 6 gear set # 728H161
- 4 Available only as complete thrust washer kit #730H01
- 5 Always bench test both engagement and disengagement of the clutch gear before reinstalling *Air Locker* into the vehicle.
- 6 All diffs produced before serial #17070001 came with 5mm air connection system. For information contact ARB.
- Refer to seal housing set-up tech note ([Sec. 5.2](#)).
- Refer to pinion modification tech note ([Sec. 5.6](#)).

RD135

Nissan H233B,33 SPL

EXPLODED DIAGRAM



SPECIFICATIONS

Axle Spline	33 tooth, Ø33.3mm [1.31"]
Ratio Supported	All
Ring Gear ID	146.0mm [5.75"]
Ring Gear Bolts	9 bolts on Ø176mm [6.93"]
Ring Gear Bolt Size	12mm
Ring Gear Torque	142Nm [105 ft-lb]
Backlash	0.15-0.20mm [0.006-0.008"]
Bearing Cap Torque	99Nm [73 ft-lb]